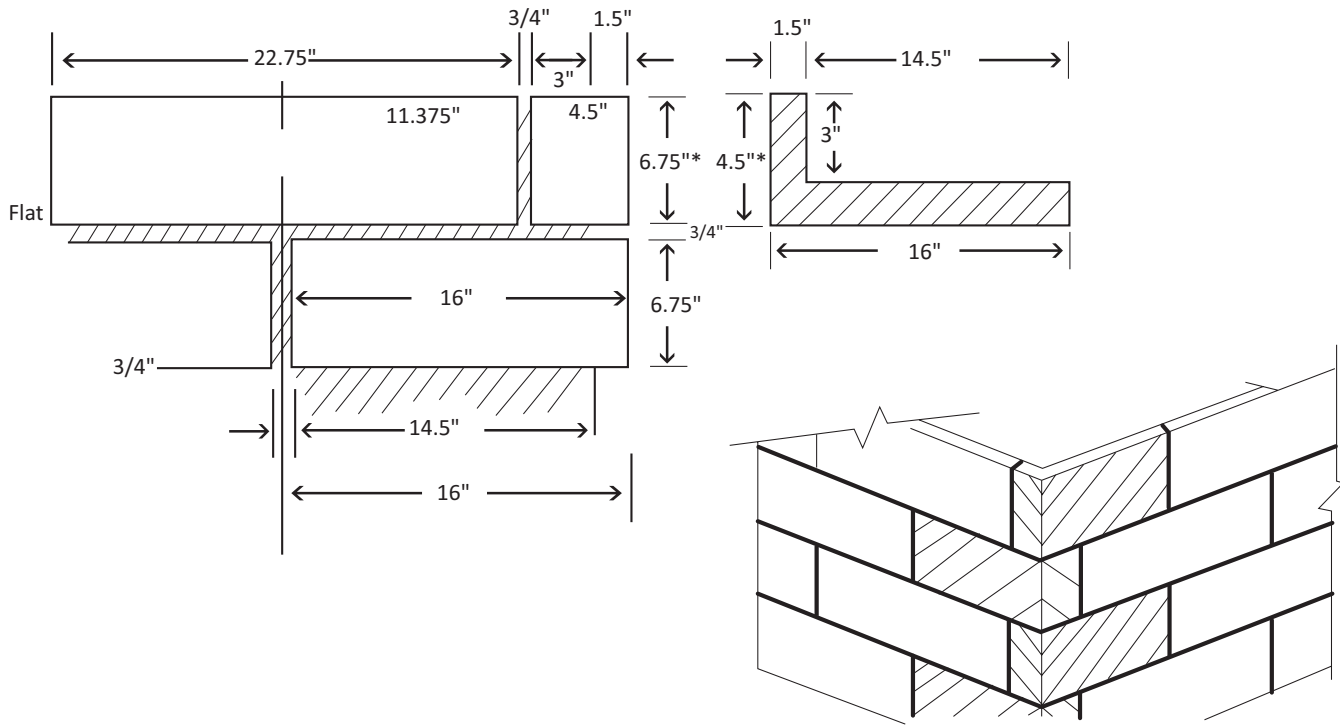


FOUNDATION STONE #530



PATTERN DESCRIPTIONS AND DIMENSIONS

Pattern	Texture	T	H	W	Joint
Flat	Chiseled face	1.5"	6 3/4"	22 3/4"	3/4"
Corner		1.5"	6 3/4"	4 1/2" to 16"	

* thickness, height and width dimensions may have +/- tolerance due to hand casting of product

* trimming and shaping of pieces may be required around openings as well as maintaining a level and coarsed pattern

* Certain patterns are designed by Centurion to be laid with a mortar joint-like Rubble. For those patterns, the coverage area includes the mortar joint. For patterns designed to be drystack-like Ledge, the coverage area does not include a mortar joint

Standard Color Line*	Product Code	Recommended Accessory Color	Accessory Color Code
APPALACHIAN	530-250-15	APPALACHIAN	250-15
CRIMSON	530-578-25	CRIMSON	578-25
MILLWOOD	530-333-20	MILLWOOD	333-20
MISSOURI	530-100-15	MISSOURI	100-15
PLAIN	530-330-20	PLAIN	330-20
SAGE VALLEY	530-710-25	PENNSYLVANIA	800-25

*Foundation Stone colors are the majority base color similar to our accessories

	Packaging/Skid		Weights/Skid (Avg.)	
	Pcs	SqFt	Lbs.	
Flats	80	103.2	960	
Corners	64	42.8	435	

