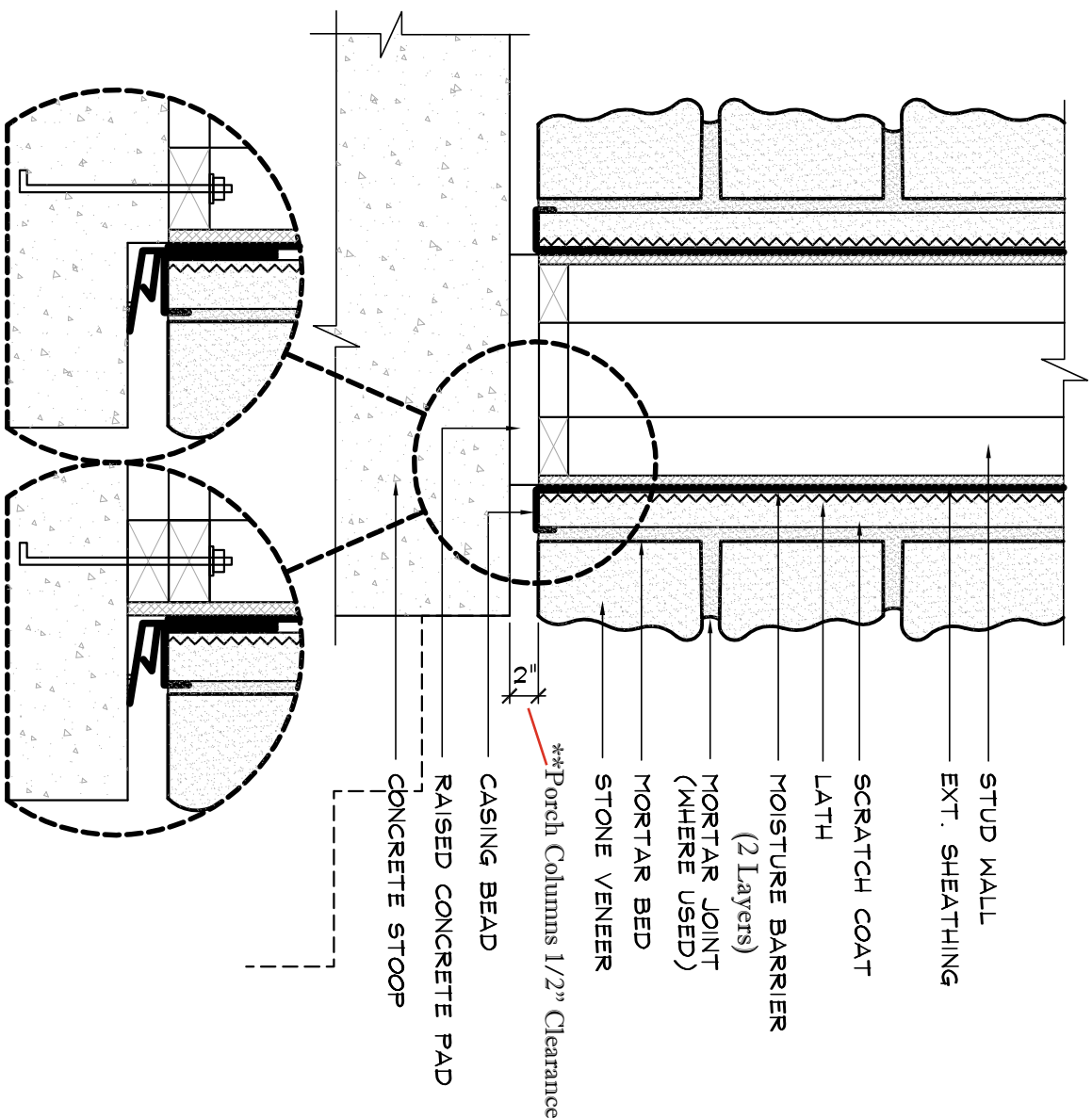


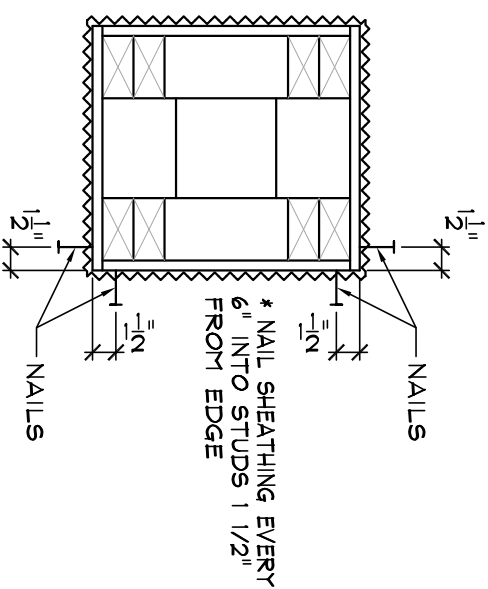
COLUMN CONSTRUCTION



Specifications :

APPLIED : PER CENTURION STONE VENEER INSTALLATION PROCEDURES REFERENCE ICC ES REPORT ESR-2239 FOR SPECIFIC CODE REQUIREMENTS

NOTE :
USE MIN. OF 2 STUDS ON EACH COLUMN CORNER AND ON ALL INSIDE/OUTSIDE CORNERS



* NAIL LATH EVERY 6" DOWN EACH CORNER 1/2" FROM EDGE WITH FASTENER PENETRATING MIN. OF 1" INTO STUD.

* LATH IS TURNED AROUND CORNERS (INSIDE/OUTSIDE) 16" AND KEPT TIGHT TO SHEATHING. IF RETURN IS LESS THAN 16" TURN LATH TO LONGEST POINT - DO NOT END LATH AT COLUMN CORNER.

NOT TO SCALE



Centurion
STONE

Centurion Products, LLC.
7201 Cockrill Bend Blvd
Nashville, TN 37209
www.Centurionstone.com

COLUMN CONSTRUCTION

M.0.7