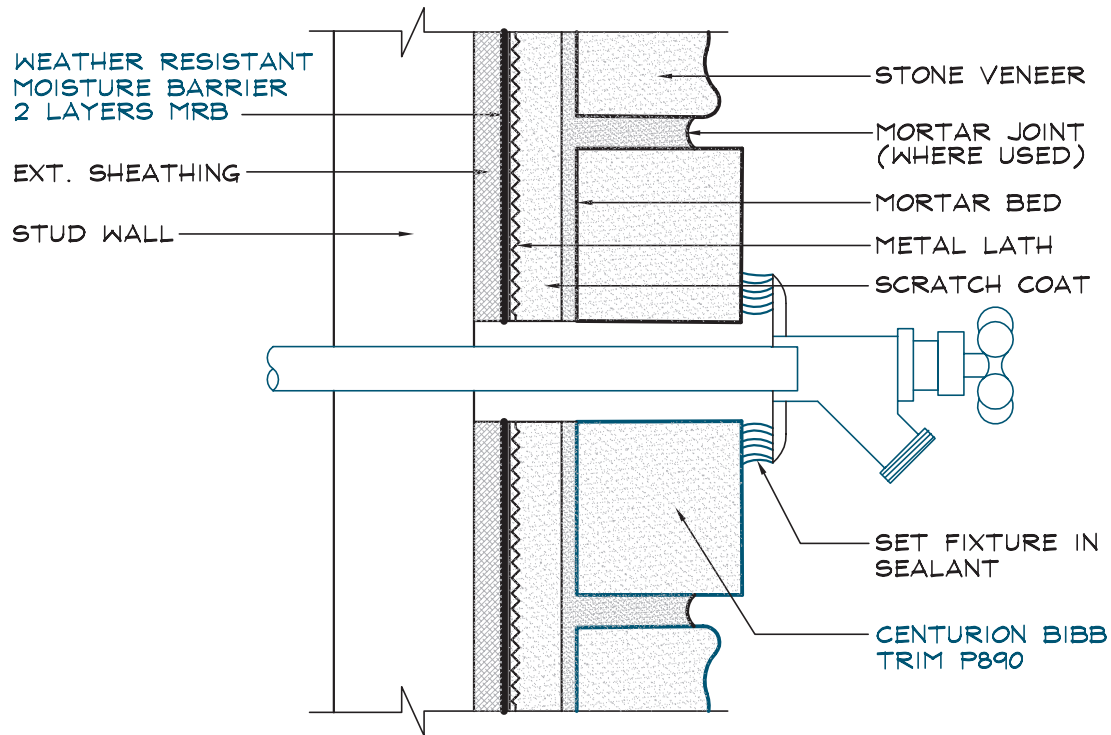


WATER BIB TRIM P890



**SPECIFICATIONS:**

APPLIED: PER CENTURION STONE VENEER  
INSTALLATION PROCEDURES REFERENCE  
ICC ES REPORT ESR-2239 FOR SPECIFIC CODE  
REQUIREMENTS

NOTE: BE SURE TO BED ALL COVERS AND FLANGES  
IN SEALANT BEFORE FASTENING TO WALL.

NOT TO SCALE



Centurion Products, LLC.  
7201 Cockrill Bend Blvd.  
Nashville, TN 37209  
www.CenturionStone.com

**WATER BIB TRIM P890**

K4