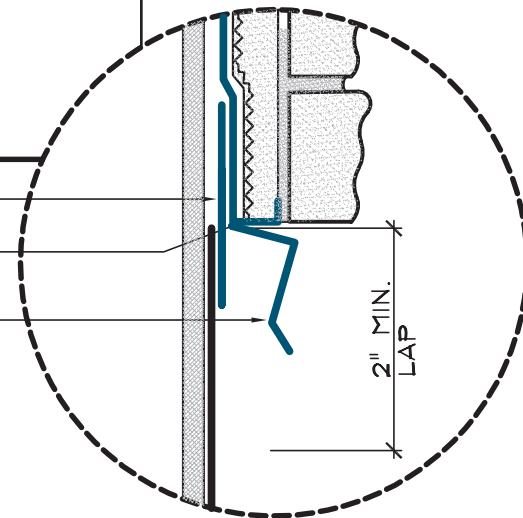


SPECIFICATIONS:

APPLIED: PER CENTURION STONE VENEER
 INSTALLATION PROCEDURES REFERENCE
 ICC ES REPORT ESR-2239 FOR SPECIFIC CODE
 REQUIREMENTS

*SEE DETAIL 1.0 FOR INSTALLATION
 DETAILS OVER CMU

CHIMNEY SADDLE DETAILS



NOT TO SCALE



Centurion Products, LLC.
 7201 Cockrill Bend Blvd.
 Nashville, TN 37209
 www.CenturionStone.com

CHIMNEY CRICKET DETAILS

E2