

CENTURION[®]

STONE

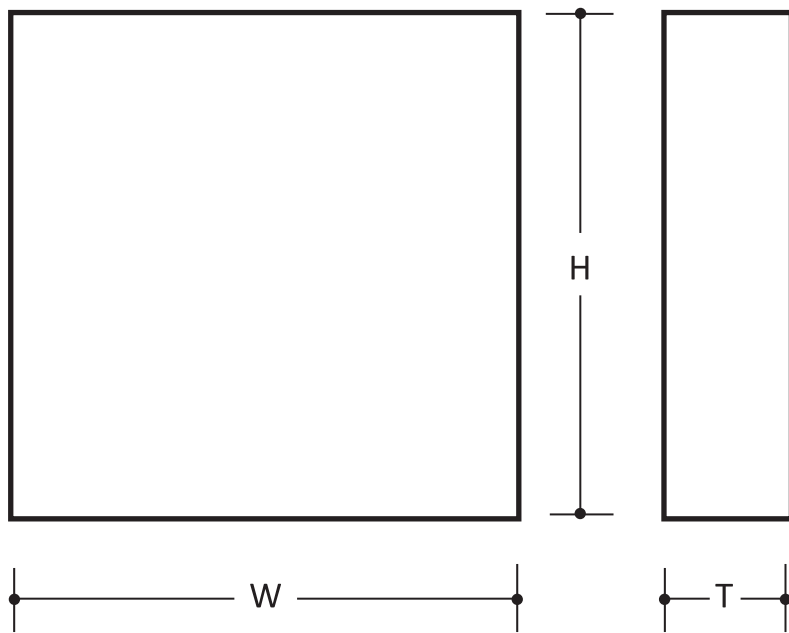
Technical Data

- Descriptions -

- Patterns -

- Dimensions -

ADDRESS PLAQUE #790, 791



Engraving Not Provided

PATTERN DESCRIPTIONS AND DIMENSIONS

| Pattern | Texture | Code | T | H | W |
|------------------------|------------------------------|------|--------|---------|-----|
| ADDRESS PLAQUE, SMALL | Smooth face, chiseled edges. | 790 | 1 1/2" | 8 1/4" | 17" |
| ADDRESS PLAQUE, GRANDE | Smooth face, chiseled edges. | 791 | 1 1/2" | 10 1/2" | 15" |

*thickness, height and width dimensions may have +/- tolerance due to hand casting of product

*trimming and shaping of pieces may be required around openings as well as maintaining a level and coarsed pattern

* certain patterns are designed by Centurion to be laid with a mortar joint-like Rubble. For those patterns, the coverage area includes the mortar joint. For patterns designed to be drystacke- like Ledge, the coverage area does not include a mortar joint.

| Standard Accessory Color Line | Color Code |
|-------------------------------|------------|
| APPALACHIA | 250-25 |
| BROWN | 200-25 |
| CHARDONAY | 180-65 |
| KENTUCKY | 260-15 |
| PENNSYLVANIA | 800-25 |
| MESA VALLEY | 930-65 |
| MISSOURI | 100-15 |
| PLAIN | 330-20 |
| SUEDE | 185-65 |
| TENNESSEE | 010-15 |
| TEXAS | 310-10 |
| TULSA | 791-15 |

| Item # | Packaging/Skid | Weights/Skid(Avg) |
|--------|----------------|-------------------|
| | Pcs | Lbs. |
| 790 | 68 | 1156 |
| 791 | 51 | 867 |



ASHLAR #230



PATTERN DESCRIPTIONS AND DIMENSIONS

| Pattern | Texture | Installation | T | H | W | Joint |
|---------|---|--|--------------|---------------|-------------------|-------|
| ASHLAR | Assortment of sizes and shapes in an organized pattern. Face of pieces flat but with texture. | Installed with the longest side down and level. A joint is required with this pattern. | 1 1/4" to 2" | 2 1/4" to 11" | 5 3/4" to 20 3/4" | 3/4" |

*thickness, height and width dimensions may have +/- tolerance due to hand casting of product

*trimming and shaping of pieces may be required around openings as well as maintaining a level and coarsed pattern

*Certain patterns are designed by Centurion to be laid with a mortar joint- like Rubble. For those patterns, the coverage area includes the mortar joint. For patterns designed to be drystacked- like Ledge, the coverage area does not include mortar joint.

| Standard Color Line | Product Code | Recommended Accessory Color | Accessory Color Code |
|---------------------|--------------|-----------------------------|----------------------|
| BUCKS COUNTY | 230-701-25 | PENNSYLVANIA | 800-25 |
| KENTUCKY | 230-260-15 | KENTUCKY / TENNESSEE | 260-15 / 010-15 |
| ODESSA FALLS | 230-365-25 | CALIFORNIA BASE MIX ONLY | 223-25 |
| PENNSYLVANIA | 230-800-25 | PENNSYLVANIA | 800-25 |

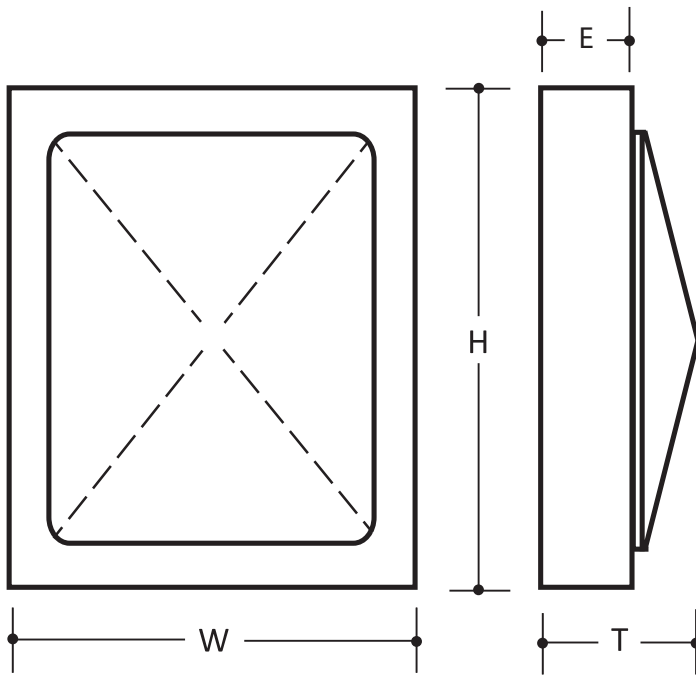
| Packaging/Skid | | Weights/Skid (Avg) |
|----------------|--------|--------------------|
| | Sq.Ft. | Lbs. |
| Flats | 100 | 1060 |
| Corners | 80 | 1150 |



BEVELED COLUMN CAP #580

#867

#868



PATTERN DESCRIPTIONS AND DIMENSIONS

| Pattern | Texture | Code | T | H | W | Edge |
|--------------------|--|------|----|-----|-----|------|
| BEVELED COLUMN CAP | Chiseled top and edges, no step down on top. | 580 | 5" | 20" | 20" | 2.5" |
| | Smooth top and chiseled edges. | 867 | 9" | 24" | 24" | 4" |
| | Smooth top and chiseled edges. | 868 | 9" | 28" | 28" | 4" |

*thickness, height and width dimensions may have +/- tolerance due to hand casting of product

*trimming and shaping of pieces may be required around openings as well as maintaining a level and coarsed pattern

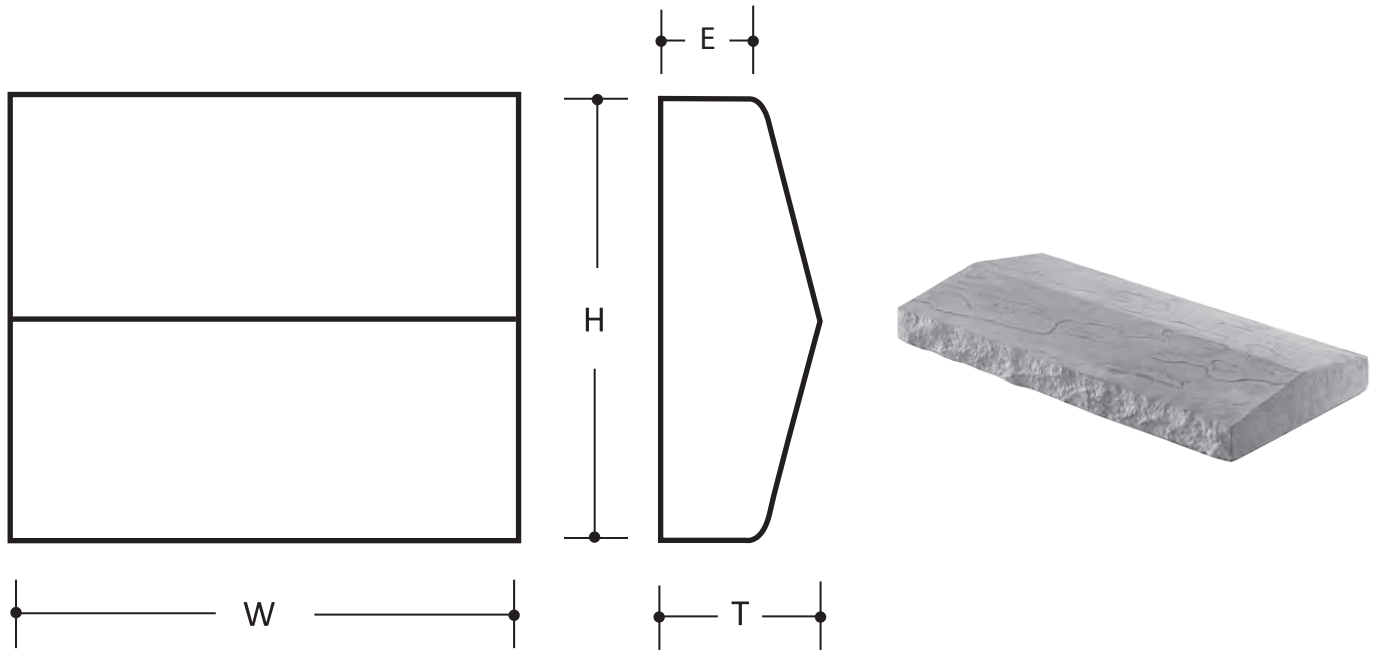
*Certain patterns are designed by Centurion to be laid with a mortar joint-like Rubble. For those patterns, the coverage area includes the mortar joint. For patterns designed to be drystack-like Ledge, the coverage area does not include a mortar joint

| Packaging/Skid | | Weights/Skid(Avg) |
|----------------|------|-------------------|
| Item # | Pcs. | Lbs. |
| 580 | 14 | 1358 |
| 867 | 1 | 325 |
| 868 | 1 | 430 |

| Standard Accessory Color Line | Color Code |
|-------------------------------|------------|
| APPALACHIA | 250-25 |
| BROWN | 200-25 |
| CHARDONAY | 180-65 |
| KENTUCKY | 260-15 |
| PENNSYLVANIA | 800-25 |
| MESA VALLEY | 930-65 |
| MISSOURI | 100-15 |
| PLAIN | 330-20 |
| SUEDE | 185-65 |
| TENNESSEE | 010-15 |
| TEXAS | 310-10 |
| TULSA | 791-15 |



BEVELED WALL CAP #861, 862



PATTERN DESCRIPTIONS AND DIMENSIONS

| Pattern | Texture | Code | T | H | W | Edge |
|------------------|---------------------------|------|----|-----|-----|------|
| BEVELED WALL CAP | Slate face chiseled edge. | 861 | 3" | 12" | 24" | 2" |
| | | 862 | 3" | 16" | 24" | 2" |

*thickness, height and width dimensions may have +/- tolerance due to hand casting of product

*trimming and shaping of pieces may be required around openings as well as maintaining a level and coarsed pattern

*Certain patterns are designed by Centurion to be laid with a mortar joint-like Rubble. For those patterns, the coverage area includes the mortar joint. For patterns designed to be drystacked-like Ledge, the coverage area does not include a mortar joint

| Packaging/Skid | | Weights/Skid(Avg) |
|----------------|------|-------------------|
| Item # | Pcs. | Lbs. |
| 861 | 36 | 1880 |
| 862 | 26 | 2002 |

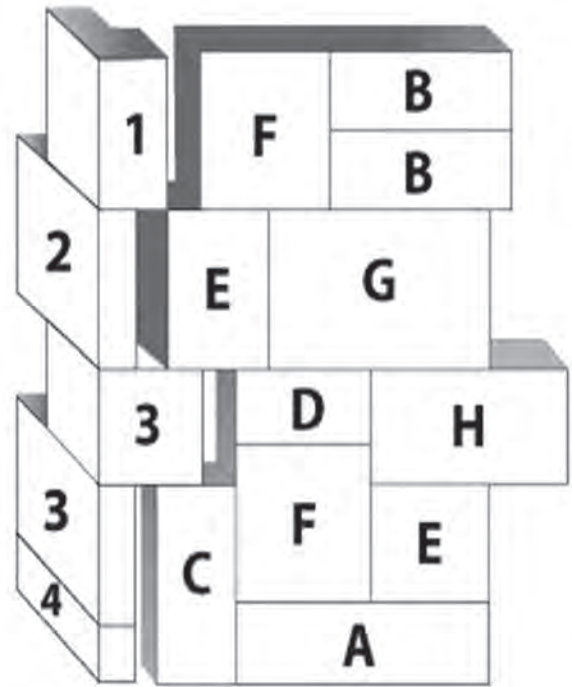
| Standard Accessory Color Line | Color Code |
|-------------------------------|------------|
| APPALACHIAN | 250-25 |
| BROWN | 200-25 |
| CHARDONAY | 180-65 |
| KENTUCKY | 260-15 |
| PENNSYLVANIA | 800-25 |
| MESA VALLEY | 930-65 |
| MISSOURI | 100-15 |
| PLAIN | 330-20 |
| SUEDE | 185-65 |
| TENNESSEE | 010-15 |
| TEXAS | 310-10 |
| TULSA | 791-15 |



BILTMORE #400

| Flat Pattern | |
|--------------|-----|
| *Size | Pcs |
| A-6x24 | 1 |
| B-6x18 | 2 |
| C-6x15 | 1 |
| D-6x12 | 1 |
| E-9x12 | 2 |
| F-12x12 | 2 |
| G-12x21 | 1 |
| H-9x18 | 1 |

| Corner Pattern | |
|----------------|-----|
| *Size | Pcs |
| #1 6x6x12 | 1 |
| #2 3x9x12 | 1 |
| #3 3x9x9 | 2 |
| #4 3x6x9 | 1 |



PATTERN DESCRIPTIONS AND DIMENSIONS

| Pattern | Texture | T | H | W | Joint |
|----------|---|--------------|---------------|--------------------|----------|
| BILTMORE | A weathered slate appearance with sawcut edges. | 1" to 1 1/4" | 6" to 11 3/4" | 11 3/4" to 23 1/2" | Drystack |

*thickness, height and width dimensions may have +/- tolerance due to hand casting of product

*trimming and shaping of pieces may be required around openings as well as maintaining a level and coarsed pattern

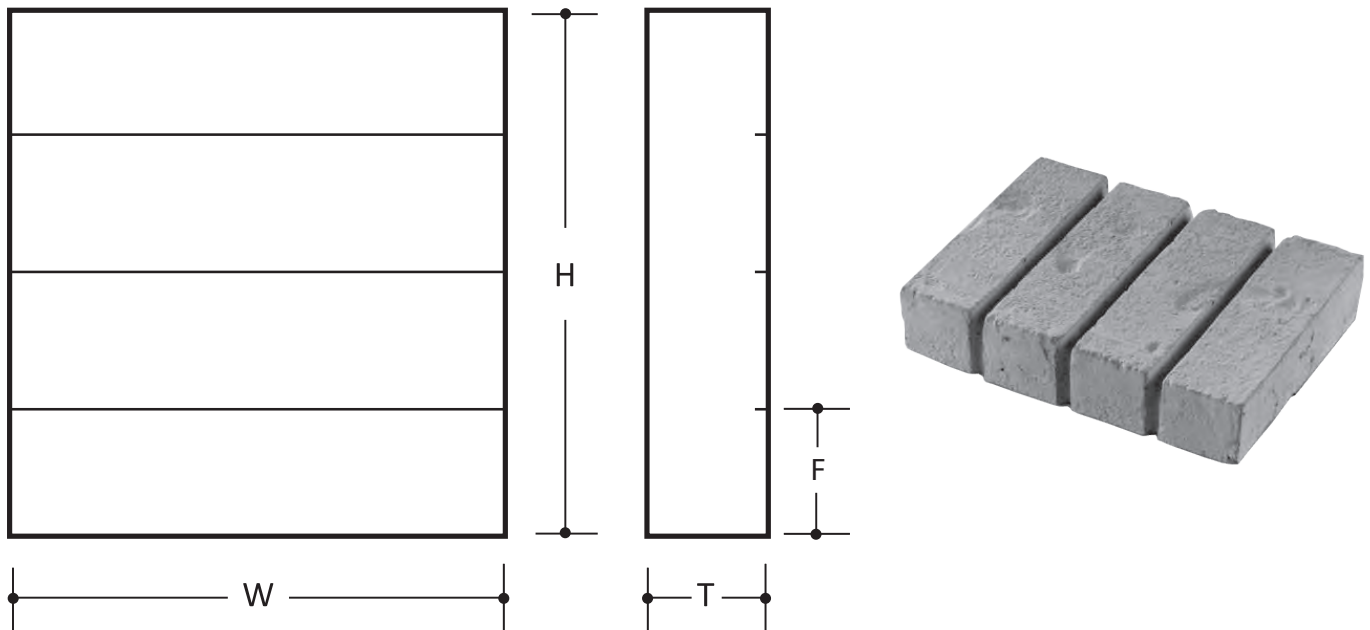
* Certain patterns are designed by Centurion to be laid with a mortar joint-like Rubble. For those patterns, the coverage area includes the mortar joint. For patterns designed to be drystack-like Ledge, the coverage area does not include a mortar joint

| Standard Color Line | Product Code | Recommended Accessory Color | Accessory Color Code |
|---------------------|--------------|-----------------------------|----------------------|
| PENNSYLVANIA | 400-800-25 | PENNSYLVANIA | 800-25 |
| PLAIN | 400-330-20 | PLAIN | 330-20 |
| TEXAS | 400-310-10 | TEXAS | 310-10 |

| Packaging/Skid | Weights/Skid (Avg) | |
|----------------|--------------------|------|
| | Sq.Ft. | Lbs. |
| Flats | 114 | 1085 |
| Corners | 128 | 935 |



BRICK TRIM - 4 PIECE #755



PATTERN DESCRIPTIONS AND DIMENSIONS

| Pattern | Texture | Code | T | H | W | Edge |
|--------------------|--------------------|------|----|-----|------|------|
| BRICK TRIM 4 PIECE | Used Brick Texture | 755 | 2" | 10" | 7.5" | 2" |

*thickness, height and width dimensions may have +/- tolerance due to hand casting of product

*trimming and shaping of pieces may be required around openings as well as maintaining a level and coarsed pattern

*Certain patterns are designed by Centurion to be laid with a mortar joint-like Rubble. For those patterns, the coverage area includes the mortar joint. For patterns designed to be drystack-like Ledge, the coverage area does not include a mortar joint

| Packaging/Skid | | Weights/Skid(Avg) |
|----------------|------|-------------------|
| Item # | Pcs. | Lbs. |
| 755 | 90 | 810 |

| Standard Accessory Color Line | Color Code |
|-------------------------------|------------|
| APPALACHIAN | 250-25 |
| BROWN | 200-25 |
| CHARDONAY | 180-65 |
| KENTUCKY | 260-15 |
| PENNSYLVANIA | 800-25 |
| MESA VALLEY | 930-65 |
| MISSOURI | 100-15 |
| PLAIN | 330-20 |
| SUEDE | 185-65 |
| TENNESSEE | 010-15 |
| TEXAS | 310-10 |
| TULSA | 791-15 |



#186- 2" BROOKSTONE



#187- 4" BROOKSTONE



#188- 6" BROOKSTONE



#189- BROOKSTONE BLEND



PATTERN DESCRIPTIONS AND DIMENSIONS

| Pattern | Texture | Installation | T | H | W | Joint |
|------------|---|---|--------------|----------|-----------|----------|
| BROOKSTONE | The Brookstone pattern is modeled to replicate the sharp lines found in a guillotine-cut natural stone. | The guillotine-cut stone was designed for a dry stack installation. | 1" to 1 1/2" | 2" to 6" | 6" to 16" | Drystack |

* thickness, height and width dimensions may have +/- tolerance due to hand casting of product
 * trimming and shaping of pieces may be required around openings as well as maintaining a level and coarsed pattern
 * Certain patterns are designed by Centurion to be laid with a mortar joint-like Rubble. For those patterns, the coverage area includes the mortar joint. For patterns designed to be drystack-like Ledge, the coverage area does not include a mortar joint

| Standard Color Line | Product Code | Recommended Accessory Color | Accessory Color Code |
|---------------------|--------------|-----------------------------|----------------------|
| CREAM | 189-604-10 | TEXAS | 310-10 |
| ROCKY | 189-591-04 | ALPINE | 466-04 |
| SHORELINE | 189-408-15 | COASTAL | 584-15 |

| Packaging/Skid | Weights/Skid (Avg) | |
|----------------|--------------------|------|
| | Sq.Ft. | Lbs. |
| Flats | 88 | 930 |
| Corners | 72 | 920 |



CANYON LEDGE #280



PATTERN DESCRIPTIONS AND DIMENSIONS

| Pattern | Texture | Installation | T | H | W | Joint |
|--------------|-----------------------------------|--|--------------|--------------|---------------|-------|
| CANYON LEDGE | Well worn look of eroded texture. | Install in a horizontal pattern with mortar joint. | 1 1/2" to 3" | 1 1/2" to 4" | 5 1/2" to 19" | 3/4" |

*thickness, height and width dimensions may have +/- tolerance due to hand casting of product

*trimming and shaping of pieces may be required around openings as well as maintaining a level and coarsed pattern

*Certain patterns are designed by Centurion to be laid with a mortar joint-like Rubble. For those patterns, the coverage area includes the mortar joint. For patterns designed to be drystack-like Ledge, the coverage area does not include a mortar joint

| Standard Color Line | Product Code | Recommended Accessory Color | Accessory Color Code |
|---------------------|--------------|-----------------------------|----------------------|
| APPALACHIAN | 280-250-15 | APPALACHIAN | 250-15 |
| BROWN | 280-200-25 | BROWN | 200-25 |
| BUCKS COUNTY | 280-701-25 | PENNSYLVANIA | 800-25 |
| ENGLISH | 280-270-15 | APPALACHIAN | 250-15 |
| PENNSYLVANIA | 280-800-25 | PENNSYLVANIA | 800-25 |
| KENTUCKY | 280-260-15 | KENTUCKY / TENNESSEE | 260-15 / 010-15 |
| SOUTHERN WHEAT | 280-801-25 | BROWN | 200-25 |

| Packaging/Skid | Weights (Avg) | |
|----------------|---------------|------|
| | Sq.Ft. | Lbs. |
| Flats | 92 | 950 |
| Corners | 72 | 900 |

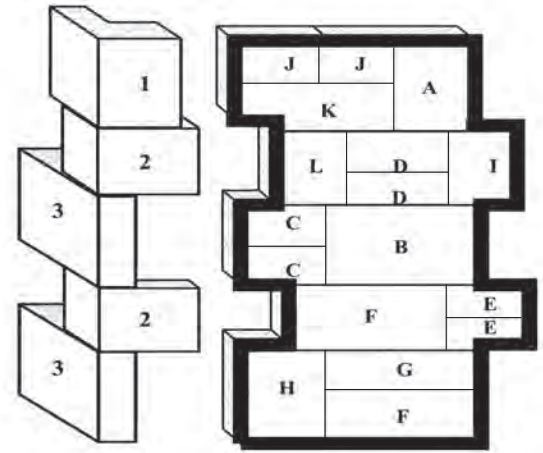


CATHEDRAL STONE #140

| Flats* | | | |
|--------|--------|-------|---------|
| Piece | Height | Width | Pcs Req |
| A | 12" | 12" | 1 |
| B | 12" | 24" | 1 |
| C | 6" | 15" | 2 |
| D | 4" | 12" | 2 |
| E | 4" | 15" | 2 |
| F | 8" | 24" | 2 |
| G | 4" | 24" | 1 |
| H | 12" | 15" | 1 |
| I | 8" | 12" | 1 |
| J | 6" | 12" | 2 |
| K | 6" | 24" | 1 |
| L | 8" | 15" | 1 |

FEATURES:

- Can be installed in random or repeating pattern for quick installation with minimum cutting.
- 90 degree corners available.
- Pattern sized with half inch mortar joint.
- Convenient, easy handling packaging.



| Corner | | Size* | Lin. Ft. | | Sq. Ft. | C to F |
|----------------------|-----|------------|----------|-------|---------|--------|
| # | Pcs | | Pc. | Total | Total | Factor |
| #1 | 1 | 6 x 9 x 12 | 12" | 1 | .79 | |
| #2 | 2 | 4 x 9 x 8 | 8" | 1.3 | .45 | |
| #3 | 2 | 4 x 9 x 12 | 12" | 2 | .67 | |
| APPROXIMATE COVERAGE | | | 4.3 | 1.9 | X .44 | |

PATTERN DESCRIPTIONS AND DIMENSIONS

| Pattern | Texture | T | H | W | Joint |
|-----------------|---|--------------|---------------|----------------|-------|
| CATHEDRAL STONE | Pitched faced stone, saw cut edges. Thickest of the pattern stones. | 1 1/4" to 2" | 3 1/4" to 11" | 11" to 22 1/2" | 1/2" |

| Standard Color Line | Product Code | Recommended Accessory Color | Accessory Color Code |
|---------------------|--------------|-----------------------------|----------------------|
| PENNSYLVANIA | 140-800-25 | PENNSYLVANIA | 800-25 |
| PLAIN | 140-330-20 | PLAIN | 330-20 |
| SAGE VALLEY | 140-710-25 | PENNSYLVANIA | 800-25 |

| Packaging/Skid | Weights/Skid (Avg.) | |
|----------------|---------------------|------|
| | Sq.Ft. | Lbs. |
| Flats | 110 | 1030 |
| Corners | 80 | 820 |

*thickness, height and width dimensions may have +/- tolerance due to hand casting of product

*trimming and shaping of pieces may be required around openings as well as maintaining a level and coarsed pattern

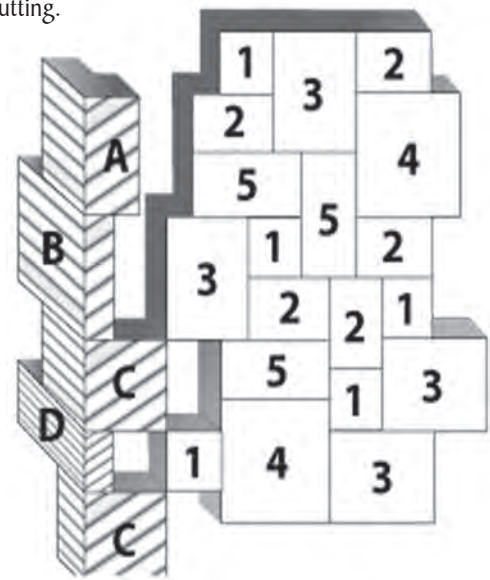
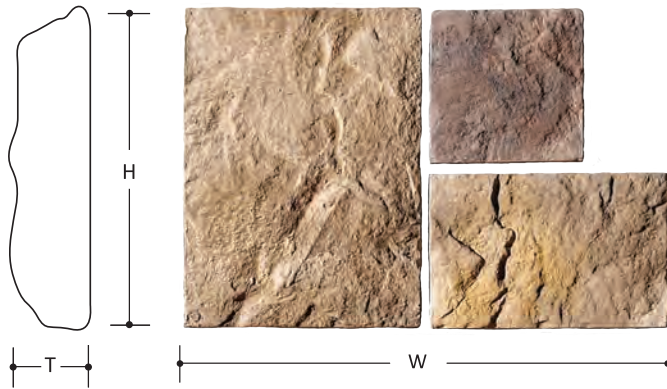
* Certain patterns are designed by Centurion to be laid with a mortar joint-like Rubble. For those patterns, the coverage area includes the mortar joint. For patterns designed to be drystacked-like Ledge, the coverage area does not include a mortar joint



CENTURION CASTLE ROCK #070

FEATURES:

- Can be installed in random or repeating pattern for quick installation with minimum cutting.
- 90 degree corners available.
- Average thickness of one and one fourth inches.
- Pattern sized with three quarter inch mortar joint.
- Convenient, easy handling packaging.



| Flats* | | |
|--------|-------------|-----|
| # | Size | Pcs |
| 1 | 5.5 x 5.5 | 5 |
| 2 | 5.5 x 8.5 | 7 |
| 3 | 8.5 x 11.5 | 4 |
| 4 | 11.5 x 11.5 | 2 |
| 5 | 5.5 x 11.5 | 3 |

| Corner | | Size* | Lin. Ft. | Sq. Ft. | C to F |
|----------------------|-----|-------------|----------|---------|-------------|
| # | Pcs | | Pc. | Total | Factor |
| A | 4 | 6 x 6 x 12 | 12" | 4 | 3.2 |
| B | 4 | 3 x 12 x 12 | 12" | 4 | 3.2 |
| C | 4 | 3 x 9 x 9 | 9" | 6 | 4.75 |
| D | 4 | 3 x 9 x 6 | 6" | 2 | 1.58 |
| APPROXIMATE COVERAGE | | | | 16 | 12.73 X .80 |

PATTERN DESCRIPTIONS AND DIMENSIONS

| Pattern | Texture | T | H | W | Joint |
|-----------------------|---|----------------|-------------------|--------------------|-------|
| CENTURION CASTLE ROCK | Flat profile weathered face texture formal looking stone. | 3/4" to 1 3/4" | 5 1/2" to 11 1/2" | 5 1/2" to 11 1/2 " | 3/4" |

| Standard Color Line | Product Code | Recommended Accessory Color | Accessory Color Code |
|---------------------|--------------|-----------------------------|----------------------|
| BUCKS COUNTY | 070-701-25 | PENNSYLVANIA | 800-25 |
| GRAY | 070-030-45 | GRAY | 030-45 |
| KENTUCKY | 070-260-15 | KENTUCKY / TENNESSEE | 260-15 / 010-15 |
| PENNSYLVANIA | 070-800-25 | PENNSYLVANIA | 800-25 |

| Packaging/Skid | Weights/Skid (Avg.) | |
|----------------|---------------------|------|
| | Sq.Ft. | Lbs. |
| Flats | 126 | 920 |
| Corners | 128 | 1120 |

*thickness, height and width dimensions may have +/- tolerance due to hand casting of product
 *trimming and shaping of pieces may be required around openings as well as maintaining a level and coarsed pattern
 * Certain patterns are designed by Centurion to be laid with a mortar joint-like Rubble. For those patterns, the coverage area includes the mortar joint. For patterns designed to be drystack-like Ledge, the coverage area does not include a mortar joint



CHEROKEE BLEND #450



Blend of:
Ashlar, Cutface & Ledgerstone

PATTERN DESCRIPTIONS AND DIMENSIONS

| Pattern | Texture | Installation | T | H | W | Joint |
|----------------|--|--|------------------|---------------|---------------|----------|
| CHEROKEE BLEND | Predominately square & rectangular design. | Installed in a random pattern with long side down. | 1 1/4" to 2 1/4" | 1" to 10 1/2" | 4" to 20 3/4" | Drystack |

*thickness, height and width dimensions may have +/- tolerance due to hand casting of product

*trimming and shaping of pieces may be required around openings as well as maintaining a level and coarsed pattern

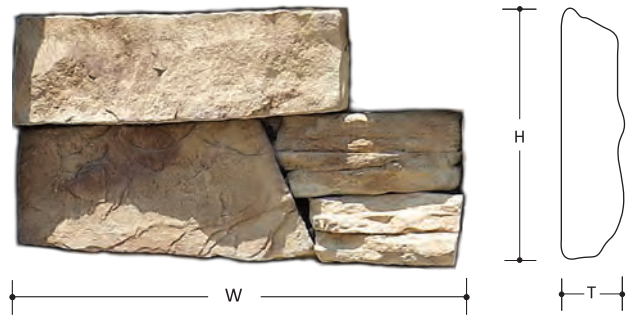
*Certain patterns are designed by Centurion to be laid with a mortar joint-like Rubble. For those patterns, the coverage area includes the mortar joint. For patterns designed to be drystacked-like Ledge, the coverage area does not include a mortar joint

| Standard Color Line | Product Code | Recommended Accessory Color | Accessory Color Code |
|---------------------|--------------|-----------------------------|----------------------|
| BUCKS COUNTY | 450-701-25 | PENNSYLVANIA | 800-25 |
| KENTUCKY | 450-260-15 | KENTUCKY / TENNESSEE | 260-15 / 010-15 |
| PENNSYLVANIA | 450-800-25 | PENNSYLVANIA | 800-25 |
| SUEDE | 450-185-65 | MESA VALLEY / SUEDE | 930-65 / 185-65 |

| Packaging/Skid | Weights/Skid (Avg.) | |
|----------------|---------------------|------|
| | Sq.Ft. | Lbs. |
| Flats | 88 | 970 |
| Corners | 80 | 900 |



CHEYENNE #480



Blend of:
Canyon Ledge, Palos Verde & Weatheredge

PATTERN DESCRIPTIONS AND DIMENSIONS

| Pattern | Texture | Installation | T | H | W | Joint |
|----------|--|--|----------|-------------------|-----------|----------|
| CHEYENNE | Predominately square & rectangular design. | Installed in a random pattern with long side down. | 1" to 3" | 1 1/4" to 15 1/2" | 5" to 23" | Drystack |

| Standard Color Line | Product Code | Recommended Accessory Color | Accessory Color Code |
|---------------------|--------------|-----------------------------|----------------------|
| BUCKS COUNTY | 480-701-25 | PENNSYLVANIA | 800-25 |
| KENTUCKY | 480-260-15 | KENTUCKY / TENNESSEE | 260-15 / 010-15 |
| PENNSYLVANIA | 480-800-25 | PENNSYLVANIA | 800-25 |
| SUEDE | 480-185-65 | MESA VALLEY / SUEDE | 930-65 / 185-65 |

* thickness, height and width dimensions may have +/- tolerance due to hand casting of product

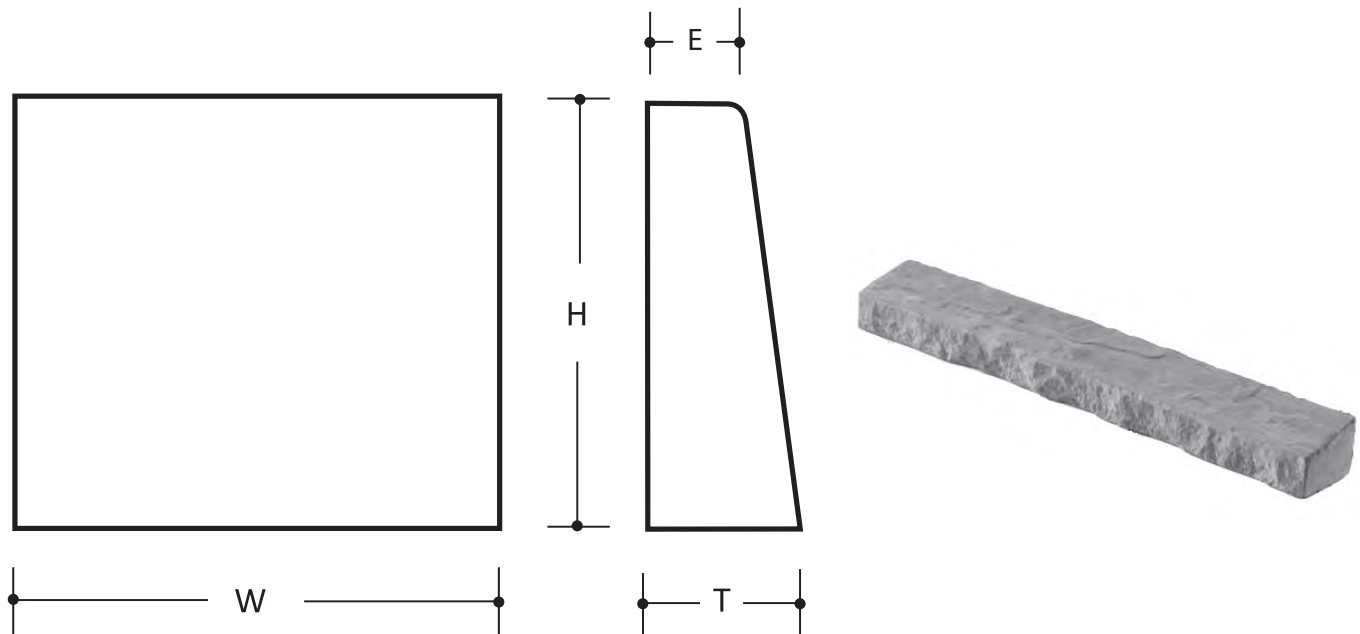
* trimming and shaping of pieces may be required around openings as well as maintaining a level and coarsed pattern

* Certain patterns are designed by Centurion to be laid with a mortar joint-like Rubble. For those patterns, the coverage area includes the mortar joint. For patterns designed to be drystack-like Ledge, the coverage area does not include a mortar joint

| | Packaging/Skid | Weights/Skid (Avg.) |
|---------|----------------|---------------------|
| | Sq.Ft. | Lbs. |
| Flats | 94 | 900 |
| Corners | 80 | 990 |



CHISELED WATER EDGE #875



PATTERN DESCRIPTIONS AND DIMENSIONS

| Pattern | Texture | Code | T | H | W | Edge |
|---------------------|---------------------------------|------|-------|----|-----|-------|
| CHISELED WATER EDGE | Slate top. Chiseled front edge. | 875 | 2.25" | 3" | 24" | 1.75" |

*thickness, height and width dimensions may have +/- tolerance due to hand casting of product

*trimming and shaping of pieces may be required around openings as well as maintaining a level and coarsed pattern

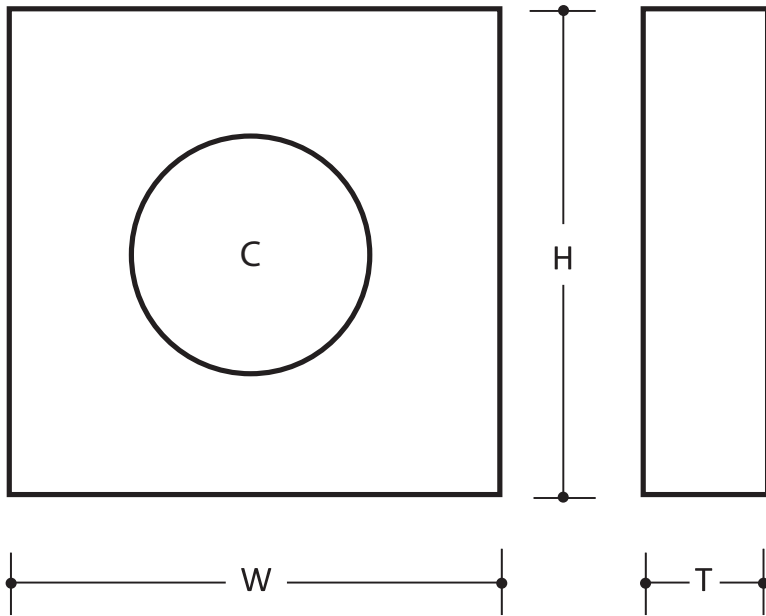
*Certain patterns are designed by Centurion to be laid with a mortar joint-like Rubble. For those patterns, the coverage area includes the mortar joint. For patterns designed to be drystack-like Ledge, the coverage area does not include a mortar joint

| Packaging/Skid | | Weights/Skid |
|----------------|------|--------------|
| Item # | Pcs. | Lbs. |
| 875 | 66 | 660 |

| Standard Accessory Color Line | Color Code |
|-------------------------------|------------|
| APPALACHIA | 250-25 |
| BROWN | 200-25 |
| CHARDONAY | 180-65 |
| KENTUCKY | 260-15 |
| PENNSYLVANIA | 800-25 |
| MESA VALLEY | 930-65 |
| MISSOURI | 100-15 |
| PLAIN | 330-20 |
| SUEDE | 185-65 |
| TENNESSEE | 010-15 |
| TEXAS | 310-10 |
| TULSA | 791-15 |



COACH LIGHT TRIM #885, 887



PATTERN DESCRIPTIONS AND DIMENSIONS

| Pattern | Texture | Code | T | H | W | C |
|------------------------|------------|------|------|-------|-------|-------|
| COACH LIGHT TRIM SMALL | Slate face | 885 | 1.5" | 6.75" | 7.75" | 4.25" |
| COACH LIGHT TRIM LARGE | | 887 | 1.5" | 8" | 12" | 4.25" |

*thickness, height and width dimensions may have +/- tolerance due to hand casting of product

*trimming and shaping of pieces may be required around openings as well as maintaining a level and coarsed pattern

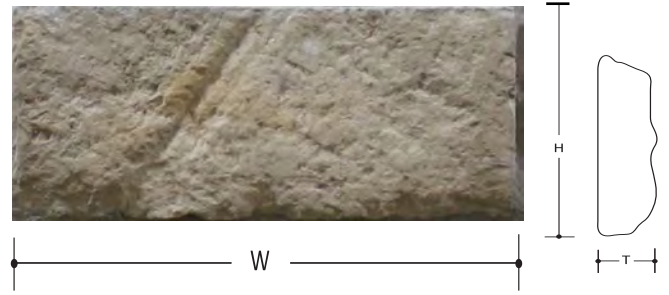
*Certain patterns are designed by Centurion to be laid with a mortar joint-like Rubble. For those patterns, the coverage area includes the mortar joint. For patterns designed to be drystack-like Ledge, the coverage area does not include a mortar joint

| # | Packaging | | Weights/Skid |
|-----|-----------|---------|--------------|
| | Pcs./Skid | Pcs/Box | Lbs. |
| 885 | 120 | 8 | 600 |
| 887 | 120 | 4 | 1080 |

| Standard Accessory Color Line | Color Code |
|-------------------------------|------------|
| APPALACHIA | 250-25 |
| BROWN | 200-25 |
| CHARDONAY | 180-65 |
| KENTUCKY | 260-15 |
| PENNSYLVANIA | 800-25 |
| MESA VALLEY | 930-65 |
| MISSOURI | 100-15 |
| PLAIN | 330-20 |
| SUEDE | 185-65 |
| TENNESSEE | 010-15 |
| TEXAS | 310-10 |
| TULSA | 791-15 |



Creekstone Blend #425



*thickness, height and width dimensions may have +/- tolerance due to hand casting of product
 *trimming and shaping of pieces may be required around openings as well as maintaining a level and coarsed pattern
 *Certain patterns are designed by Centurion to be laid with a mortar joint-like Rubble. For those patterns, the coverage area includes the mortar joint. For patterns designed to be drystack-like Ledge, the coverage area does not include a mortar joint

PATTERN DESCRIPTIONS AND DIMENSIONS

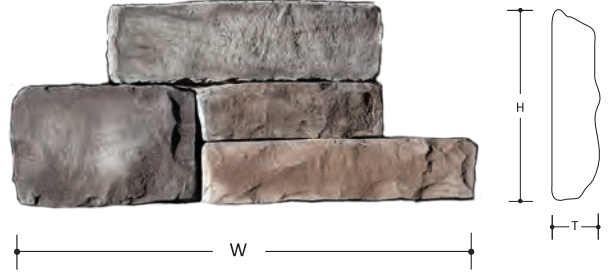
| Pattern | Texture | Installation | T | H | W | Rec Joint |
|------------|--|--|----------------|-----------|--------------|------------|
| Creekstone | The Creekstone Pattern is designed to replicate the sharp lines found in a guillotine cut natural stone. | The Guillotine cut stone was designed for a 3/4" mortar joint installation | 3/4" to 1 1/2" | 6" to 16" | 1 1/2" to 6" | 3/4" joint |

| Standard Color Line | Product Code | Recommended Accessory Color | Accessory Color Code |
|----------------------|--------------|-----------------------------|----------------------|
| APPALACHIAN | 150-250-15 | APPALACHIAN | 250-15 |
| BROWN | 150-200-25 | BROWN | 200-25 |
| BUCKS COUNTY | 150-701-25 | PENNSYLVANIA | 800-25 |
| COASTAL | 150-584-15 | COASTAL | 584-15 |
| GRAY | 150-030-45 | GRAY | 030-45 |
| HERMITAGE | 150-342-15 | COASTAL | 584-15 |
| KENTUCKY | 150-260-15 | KENTUCKY / TENNESSEE | 260-150 / 010-15 |
| LOUISVILLE | 150-262-15 | KENTUCKY / TENNESSEE | 260-15 / 010-15 |
| NORRIS GRAY | 150-817-15 | NORRIS GRAY | 817-15 |
| Oxford | 150-469-20 | Oxford | 469-20 |
| MT. RUNDLE NO ACCENT | 150-492-70 | MT. RUNDLE | 490-70 |
| SUEDE | 150-185-65 | MESA VALLEY / SUEDE | 930-65 / 185-65 |
| TEXAS | 150-310-10 | TEXAS | 310-10 |

| Packaging/Skid | Weights/Skid (Avg.) | |
|----------------|---------------------|------|
| | Sq.Ft. | Lbs. |
| Flats | 112 | 850 |
| Corners | 96 | 550 |



CUTFACE #270



PATTERN DESCRIPTIONS AND DIMENSIONS

| Pattern | Texture | Installation | T | H | W | Joint |
|---------|---|---|------------------|--------------|-----------|----------|
| CUTFACE | Guillotine cut with deep chiseled face. | Installed in a horizontal pattern, sizes for easy installation. | 1 1/4" to 2 1/4" | 1" to 5 1/2" | 4" to 19" | Drystack |

| Standard Color Line | Product Code | Recommended Accessory Color | Accessory Color Code |
|---------------------|--------------|-----------------------------|----------------------|
| BROWN | 270-200-25 | BROWN | 200-25 |
| BUCKS COUNTY | 270-701-25 | PENNSYLVANIA | 800-25 |
| DOVE | 270-031-45 | GRAY | 030-45 |
| GRAY | 270-030-45 | GRAY | 030-45 |
| KENTUCKY | 270-260-15 | KENTUCKY / TENNESSEE | 260-15 / 010-15 |
| LOUISVILLE | 270-262-15 | KENTUCKY / TENNESSEE | 260-15 / 010-15 |
| OXFORD | 270-469-20 | OXFORD | 469-20 |
| PENNSYLVANIA | 270-800-25 | PENNSYLVANIA | 800-25 |
| SUEDE | 270-185-65 | MESA VALLEY / SUEDE | 930-65 / 185-65 |
| TULSA | 270-791-15 | TULSA | 791-15 |

| Packaging/Skid | Weights/Skid (Avg.) | |
|----------------|---------------------|------|
| | Sq.Ft. | Lbs. |
| Flats | 88 | 940 |
| Corners | 80 | 885 |

*thickness, height and width dimensions may have +/- tolerance due to hand casting of product

*trimming and shaping of pieces may be required around openings as well as maintaining a level and coarsed pattern

*Certain patterns are designed by Centurion to be laid with a mortar joint-like Rubble. For those patterns, the coverage area includes the mortar joint. For patterns designed to be drystack-like Ledge, the coverage area does not include a mortar joint



DESIGN SERIES #290



PATTERN DESCRIPTIONS AND DIMENSIONS

| Pattern | Texture | T | H | W | Joint |
|---------------|---|--------------|--------|-----------|----------|
| DESIGN SERIES | Versatile pattern with uniform height pieces. | 1" to 1 3/4" | 1 3/4" | 4" to 16" | Drystack |

| Standard Color Line | Product Code | Recommended Accessory Color | Accessory Color Code |
|---------------------|--------------|-----------------------------|----------------------|
| AUSTIN | 290-647-10 | TEXAS | 310-10 |
| BUCKS COUNTY | 290-701-25 | PENNSYLVANIA | 800-25 |
| CHARDONAY | 290-180-65 | CHARDONAY | 180-65 |
| GRAY | 290-030-45 | GRAY | 030-45 |
| KENTUCKY | 290-260-15 | KENTUCKY / TENNESSEE | 260-15 / 010-15 |
| LOUISVILLE | 290-262-15 | KENTUCKY / TENNESSEE | 260-15 / 010-15 |
| MESA VALLEY | 290-930-65 | MESA VALLEY | 930-65 |
| PENNSYLVANIA | 290-800-25 | PENNSYLVANIA | 800-25 |
| TULSA | 290-791-15 | TULSA | 791-15 |

| Packaging/Skid | Weights/Skid (Avg.) | |
|----------------|---------------------|------|
| | Sq.Ft. | Lbs. |
| Flats | 88 sf | 850 |
| Corner | 72 Lf | 580 |

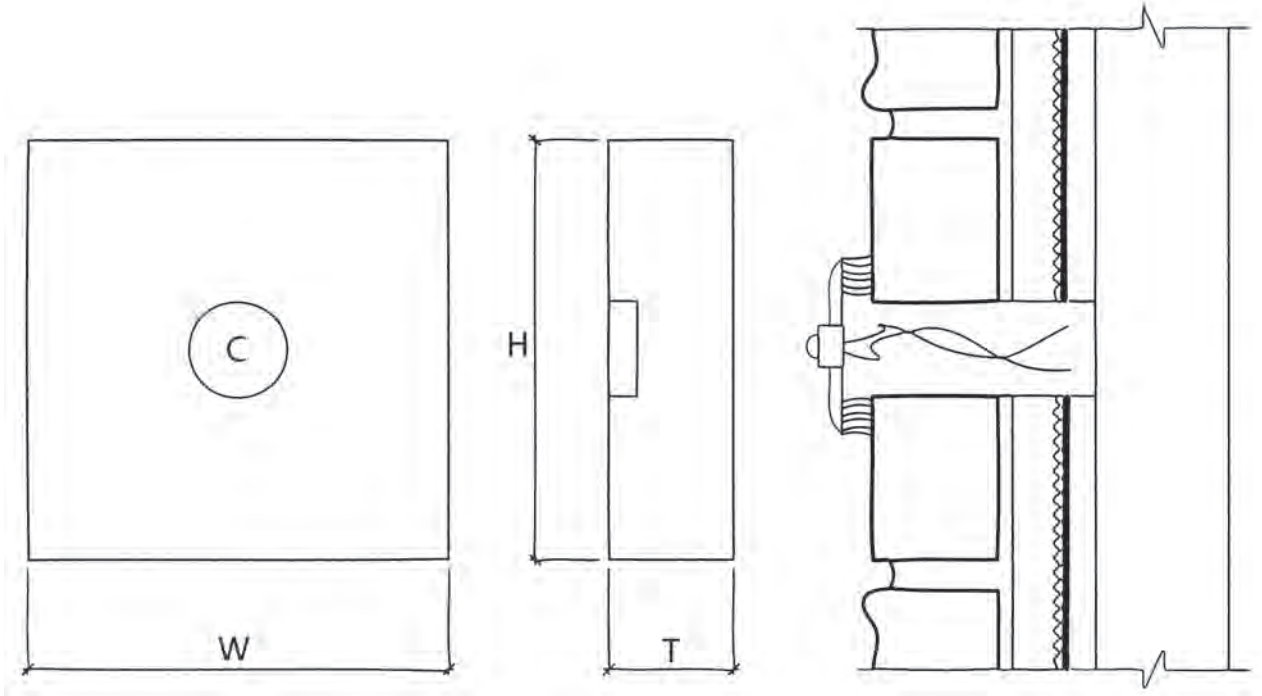
*thickness, height and width dimensions may have +/- tolerance due to hand casting of product

*trimming and shaping of pieces may be required around openings as well as maintaining a level and coarsed pattern

Certain patterns are designed by Centurion to be laid with a mortar joint-like Rubble. For those patterns, the coverage area includes the mortar joint. For patterns designed to be drystack-like Ledge, the coverage area does not include a mortar joint



DOOR BELL PLATE #815



PATTERN DESCRIPTIONS AND DIMENSIONS

| Pattern | Texture | Code | T | H | W | Cutout |
|-----------------|--------------|------|----|------|--------|--------|
| DOOR BELL PLATE | Smooth face. | 815 | 1" | 3/4" | 2 1/4" | DRILL |

*thickness, height and width dimensions may have +/- tolerance due to hand casting of product

*trimming and shaping of pieces may be required around openings as well as maintaining a level and coarsed pattern

*Certain patterns are designed by Centurion to be laid with a mortar joint-like Rubble. For those patterns, the coverage area includes the mortar joint. For patterns designed to be drystack-like Ledge, the coverage area does not include a mortar joint

| Packaging/Skid | | Weights | |
|----------------|------|---------|------|
| # | Pcs. | Skid | Pcs. |
| 815 | 320 | 320 | 0.76 |

| Standard Accessory Color Line | Color Code |
|-------------------------------|------------|
| APPALACHIA | 250-25 |
| BROWN | 200-25 |
| CHARDONAY | 180-65 |
| KENTUCKY | 260-15 |
| PENNSYLVANIA | 800-25 |
| MESA VALLEY | 930-65 |
| MISSOURI | 100-15 |
| PLAIN | 330-20 |
| SUEDE | 185-65 |
| TENNESSEE | 010-15 |
| TEXAS | 310-10 |
| TULSA | 791-15 |



ELKMONT #460



Blend of:
Canyon Ledge, LedgeStone & Splitface

PATTERN DESCRIPTIONS AND DIMENSIONS

| Pattern | Texture | Installation | T | H | W | Joint |
|---------|--|---|------------------|-----------|---------------|----------|
| ELKMONT | Square to rectangular stone with weathered face and random spotter pieces. | Installed level with spotter flat pieces. | 1 1/4" to 2 1/4" | 1" to 20" | 5" to 21 3/4" | Drystack |

| Standard Color Line | Product Code | Recommended Accessory Color | Accessory Color Code |
|---------------------|--------------|-----------------------------|----------------------|
| BROWNS VALLEY | 460-145-65 | CHARDONAY | 180-65 |
| KENTUCKY | 460-260-15 | KENTUCKY / TENNESSEE | 260-15 / 010-15 |
| PENNSYLVANIA | 460-800-25 | PENNSYLVANIA | 800-25 |

*thickness, height and width dimensions may have +/- tolerance due to hand casting of product

*trimming and shaping of pieces may be required around openings as well as maintaining a level and coarsed pattern

*Certain patterns are designed by Centurion to be laid with a mortar joint-like Rubble. For those patterns, the coverage area includes the mortar joint. For patterns designed to be drystack-like Ledge, the coverage area does not include a mortar joint

| Packaging/Skid | Weights/Skid (Avg.) | |
|----------------|---------------------|------|
| | Sq.Ft. | Lbs. |
| Flats | 82 | 900 |
| Corners | 80 | 780 |



FIELDSTONE #020



PATTERN DESCRIPTIONS AND DIMENSIONS

| Pattern | Texture | Installation | T | H | W | Joint |
|------------|--|---|------------------|-------------------------|---------------------|-------|
| FIELDSTONE | Distinctively textured, smooth, rough faced flagstone look. Pieces are square, rectangular and angled. | Installed with the longest side down and level. A joint is required with pattern. | 3/4" to 2" | 4 3/4" to 18 3/4" | 2" to 13 3/4" | 3/4" |

| Standard Color Line | Product Code | Recommended Accessory Color | Accessory Color Code |
|---------------------|--------------|-----------------------------|----------------------|
| BUCKS COUNTY | 020-701-25 | PENNSYLVANIA | 800-25 |
| KENTUCKY | 020-260-15 | KENTUCKY / TENNESSEE | 260-15 / 010-15 |
| PENNSYLVANIA | 020-800-25 | PENNSYLVANIA | 800-25 |
| PLAIN | 020-330-20 | PLAIN | 330-20 |
| TULSA | 020-791-15 | TULSA | 791-15 |

*thickness, height and width dimensions may have +/- tolerance due to hand casting of product

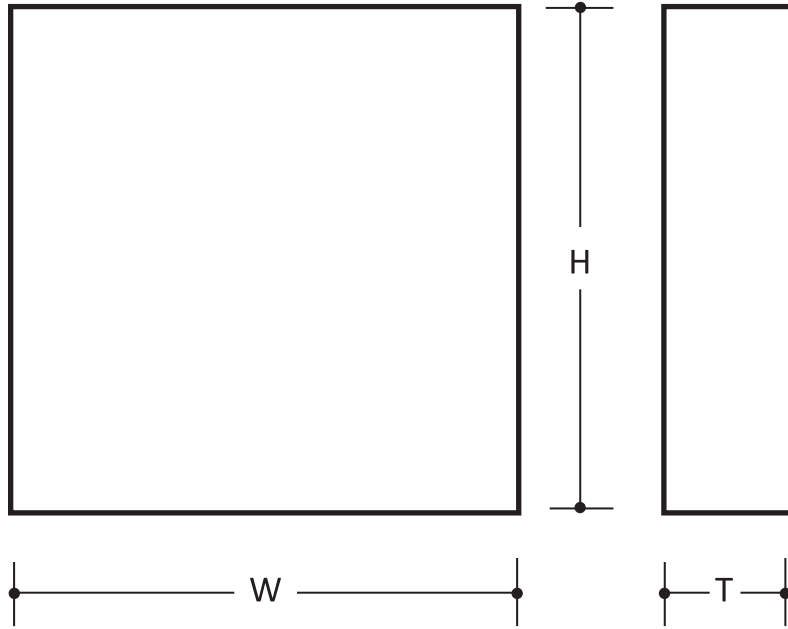
*trimming and shaping of pieces may be required around openings as well as maintaining a level and coarsed pattern

*Certain patterns are designed by Centurion to be laid with a mortar joint-like Rubble. For those patterns, the coverage area includes the mortar joint. For patterns designed to be drystack-like Ledge, the coverage area does not include a mortar joint

| Packaging/Skid | Weights/Skid (Avg.) | |
|----------------|---------------------|------|
| | Sq.Ft. | Lbs. |
| Flats | 92 | 819 |
| Corners | 96 | 866 |



FLAT COLUMN CAP #865, 869



PATTERN DESCRIPTIONS AND DIMENSIONS

| Pattern | Texture | Code | T | H | W |
|-----------------|--------------------------------|------|----|-----|-----|
| FLAT COLUMN CAP | Slate top with chiseled edges. | 865 | 3" | 24" | 24" |
| FLAT COLUMN CAP | Slate top with chiseled edges. | 869 | 3" | 28" | 28" |

*thickness, height and width dimensions may have +/- tolerance due to hand casting of product

*trimming and shaping of pieces may be required around openings as well as maintaining a level and coarsed pattern

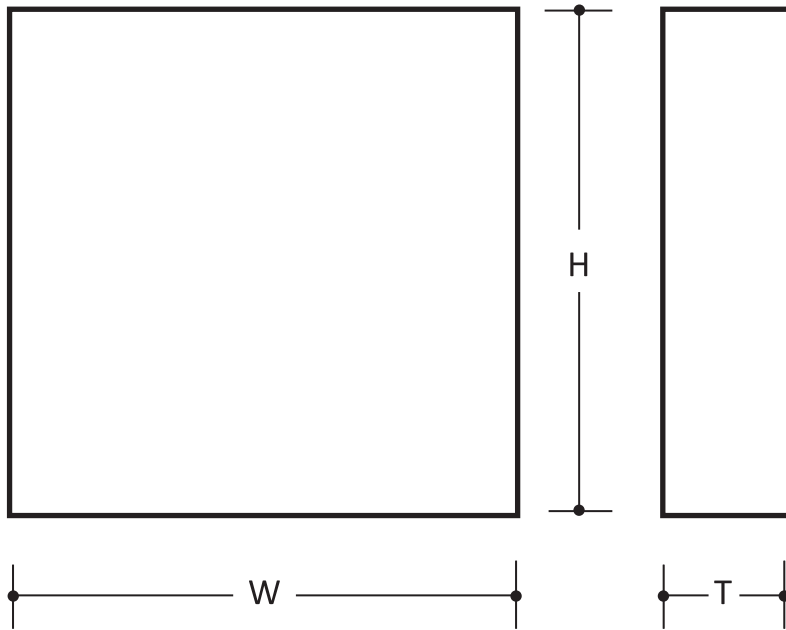
* Certain patterns are designed by Centurion to be laid with a mortar joint-like Rubble. For those patterns, the coverage area includes the mortar joint. For patterns designed to be drystack-like Ledge, the coverage area does not include a mortar joint

| Packaging/Skid | | Weights | |
|----------------|------|---------|------|
| # | Pcs. | Skid | Pcs. |
| 865 | 1-6 | 447 | 150 |
| 869 | 1-6 | 609 | 195 |

| Standard Accessory Color Line | Color Code |
|-------------------------------|------------|
| APPALACHIA | 250-25 |
| BROWN | 200-25 |
| CHARDONAY | 180-65 |
| KENTUCKY | 260-15 |
| PENNSYLVANIA | 800-25 |
| MESA VALLEY | 930-65 |
| MISSOURI | 100-15 |
| PLAIN | 330-20 |
| SUEDE | 185-65 |
| TENNESSEE | 010-15 |
| TEXAS | 310-10 |
| TULSA | 791-15 |



FLAT WALL CAPSTONE #555, 569



PATTERN DESCRIPTIONS AND DIMENSIONS

| Pattern | Texture | Code | T | H | W |
|----------------------|---------------------------|------|--------|-----|-----|
| 1 3/4" WALL CAPSTONE | Slate top chiseled edges. | 555 | 1 3/4" | 20" | 12" |
| 9 X 36 WALL CAPSTONE | Chiseled face. | 569 | 2 3/4" | 36" | 9" |

*thickness, height and width dimensions may have +/- tolerance due to hand casting of product

*trimming and shaping of pieces may be required around openings as well as maintaining a level and coarsed pattern

*Certain patterns are designed by Centurion to be laid with a mortar joint-like Rubble. For those patterns, the coverage area includes the mortar joint. For patterns designed to be drystack-like Ledge, the coverage area does not include a mortar joint

| Packaging/Skid | | Weights | |
|----------------|------|---------|------|
| # | Pcs. | Skid | Pcs. |
| 555 | 34 | 986 | 27 |
| 569 | 26 | 1586 | 58 |

| Standard Accessory Color Line | Color Code |
|-------------------------------|------------|
| APPALACHIA | 250-25 |
| BROWN | 200-25 |
| CHARDONAY | 180-65 |
| KENTUCKY | 260-15 |
| PENNSYLVANIA | 800-25 |
| MESA VALLEY | 930-65 |
| MISSOURI | 100-15 |
| PLAIN | 330-20 |
| SUEDE | 185-65 |
| TENNESSEE | 010-15 |
| TEXAS | 310-10 |
| TULSA | 791-15 |



FLINT RIDGE #430



Blend of:
Fieldstone, Silhouette Ledge & Splitface

PATTERN DESCRIPTIONS AND DIMENSIONS

| Pattern | Texture | Installation | T | H | W | Joint |
|-------------|--------------------------------------|---|----------------|-------------------|---------------|----------|
| FLINT RIDGE | Rugged textured from angular facets. | Installed at random. Mix small and large pieces for even blend. | 3/4" To 2 1/2" | 1 1/4" To 18 3/4" | 2" to 21 3/4" | Drystack |

* thickness, height and width dimensions may have +/- tolerance due to hand casting of product

* trimming and shaping of pieces may be required around openings as well as maintaining a level and coarsed pattern

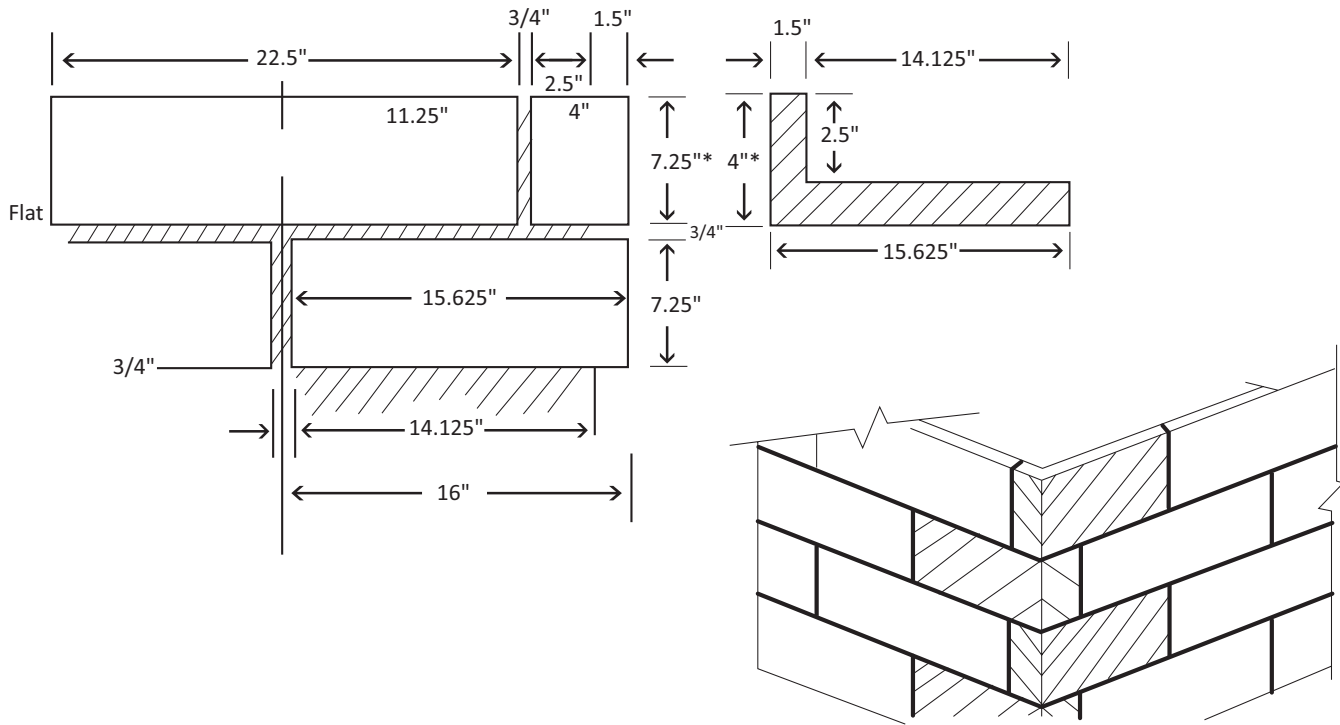
* Certain patterns are designed by Centurion to be laid with a mortar joint-like Rubble. For those patterns, the coverage area includes the mortar joint. For patterns designed to be drystacked-like Ledge, the coverage area does not include a mortar joint

| Standard Color Line | Product Code | Recommended Accessory Color | Accessory Color Code |
|---------------------|--------------|-----------------------------|----------------------|
| BUCKS COUNTY | 430-701-25 | PENNSYLVANIA | 800-25 |
| KENTUCKY | 430-260-15 | KENTUCKY / TENNESSEE | 260-15 / 010-15 |
| MESA VALLEY | 430-930-65 | MESA VALLEY | 930-65 |
| PENNSYLVANIA | 430-800-25 | PENNSYLVANIA | 800-25 |

| Packaging/Skid | | Weights/Skid (Avg.) |
|----------------|--------|---------------------|
| | Sq.Ft. | Lbs. |
| Flats | 88 | 775 |
| Corners | 80 | 820 |



FOUNDATION STONE #530



PATTERN DESCRIPTIONS AND DIMENSIONS

| Pattern | Texture | T | H | W | Joint |
|---------|---------------|------|----|-----------|-------|
| Flat | Chiseled face | 1.5" | 7" | 23" | 3/4" |
| Corner | | 1.5" | 7" | 4" to 16" | |

*thickness, height and width dimensions may have +/- tolerance due to hand casting of product

*trimming and shaping of pieces may be required around openings as well as maintaining a level and coarsed pattern

*Certain patterns are designed by Centurion to be laid with a mortar joint-like Rubble. For those patterns, the coverage area includes the mortar joint. For patterns designed to be drystacked-like Ledge, the coverage area does not include a mortar joint

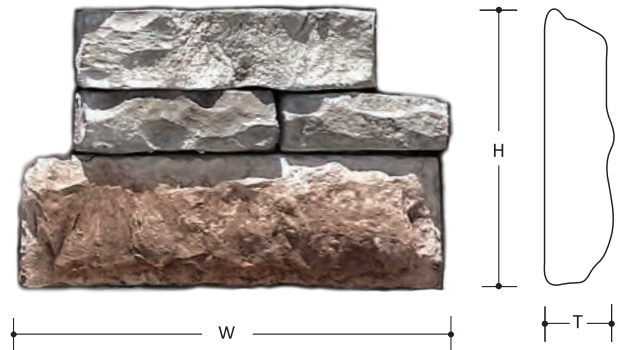
| Standard Color Line* | Product Code | Recommended Accessory Color | Accessory Color Code |
|----------------------|--------------|-----------------------------|----------------------|
| APPALACHIAN | 530-250-15 | APPALACHIAN | 250-15 |
| CRIMSON | 530-578-25 | CRIMSON | 578-25 |
| MILLWOOD | 530-333-20 | MILLWOOD | 333-20 |
| MISSOURI | 530-100-15 | MISSOURI | 100-15 |
| PLAIN | 530-330-20 | PLAIN | 330-20 |
| SAGE VALLEY | 530-710-25 | PENNSYLVANIA | 800-25 |

*Foundation Stone colors are the majority base color similar to our accessories

| | Packaging/Skid | | Weights/Skid (Avg.) | |
|---------|----------------|-------|---------------------|--|
| | Pcs | SqFt | Lbs. | |
| Flats | 80 | 103.2 | 960 | |
| Corners | 64 | 42.8 | 435 | |



GEORGETOWN #440



Blend of:
Cutface & Rubble

PATTERN DESCRIPTIONS AND DIMENSIONS

| Pattern | Texture | Installation | T | H | W | Joint |
|------------|--------------------------------|--|------------|----------|-----------|----------|
| GEORGETOWN | Square and rectangular design. | Installed in a random pattern with long side down. | 1.5" to 3" | 1" to 6" | 4" to 20" | Drystack |

*thickness, height and width dimensions may have +/- tolerance due to hand casting of product

*trimming and shaping of pieces may be required around openings as well as maintaining a level and coarsed pattern

*Certain patterns are designed by Centurion to be laid with a mortar joint-like Rubble. For those patterns, the coverage area includes the mortar joint. For patterns designed to be drystacked-like Ledge, the coverage area does not include a mortar joint

| Standard Color Line | Product Code | Recommended Accessory Color | Accessory Color Code |
|---------------------|--------------|-----------------------------|----------------------|
| BUCKS COUNTY | 440-701-25 | PENNSYLVANIA | 800-25 |
| GRAY | 440-030-45 | GRAY | 030-45 |
| HERMITAGE | 440-342-15 | COASTAL | 584-15 |
| KENTUCKY | 440-260-15 | KENTUCKY / TENNESSEE | 260-15 / 010-15 |
| NORRIS GRAY | 440-817-15 | NORRIS GRAY | 817-15 |
| PENNSYLVANIA | 440-800-25 | PENNSYLVANIA | 800-25 |
| PLAIN | 440-330-20 | PLAIN | 330-20 |
| SMOKE | 440-457-15 | SMOKE | 457-15 |
| SUEDE | 440-185-65 | SUEDE / MESA VALLEY | 185-65 / 930-65 |
| TULSA | 440-791-15 | TULSA | 791-15 |

| Packaging/Skid | Weights/Skid (Avg.) | |
|----------------|---------------------|------|
| | Sq.Ft. | Lbs. |
| Flats | 96 | 920 |
| Corners | 80 | 840 |



HACKETT #050



PATTERN DESCRIPTIONS AND DIMENSIONS

| Pattern | Texture | Installation | T | H | W | Joint |
|---------|---|---|--------------|----------|-----------|----------|
| HACKETT | Unique one of a kind pattern. Old pieces from farm fences with years of weathering. | Installed horizontally and level. May have a roll in plane to resemble old farm fences. | 1.5" to 2.5" | 2" to 4" | 4" to 14" | Drystack |

* thickness, height and width dimensions may have +/- tolerance due to hand casting of product

* trimming and shaping of pieces may be required around openings as well as maintaining a level and coarsed pattern

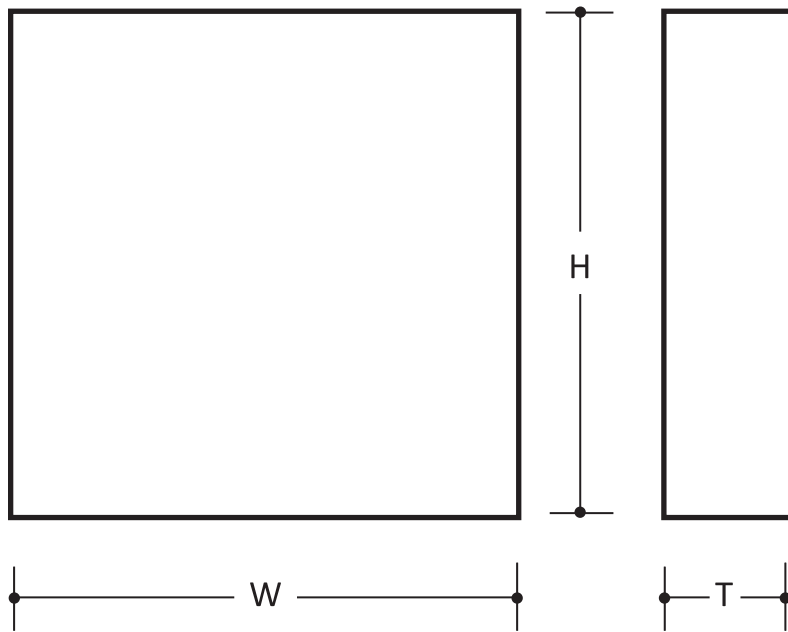
* Certain patterns are designed by Centurion to be laid with a mortar joint-like Rubble. For those patterns, the coverage area includes the mortar joint. For patterns designed to be drystacked-like Ledge, the coverage area does not include a mortar joint

| Standard Color Line | Product Code | Recommended Accessory Color | Accessory Color Code |
|---------------------|--------------|-----------------------------|----------------------|
| BUCKS COUNTY | 050-701-25 | PENNSYLVANIA | 800-25 |
| ENGLISH | 050-270-15 | APPALACHIAN | 250-15 |
| TULSA | 050-791-15 | TULSA | 791-15 |

| | Packaging/Skid | Weights/Skid (Avg.) | |
|---------|----------------|---------------------|--|
| | Sq.Ft. | Lbs. | |
| Flats | 88 | 900 | |
| Corners | 72 | 700 | |



HEARTHSTONE #860



PATTERN DESCRIPTIONS AND DIMENSIONS

| Pattern | Texture | Code | T | H | W |
|-------------|-------------------------------------|------|------|-----|-----|
| HEARTHSTONE | Flat slate top with chiseled edges. | 860 | 1.5" | 20" | 18" |

*thickness, height and width dimensions may have +/- tolerance due to hand casting of product

*trimming and shaping of pieces may be required around openings as well as maintaining a level and coarsed pattern

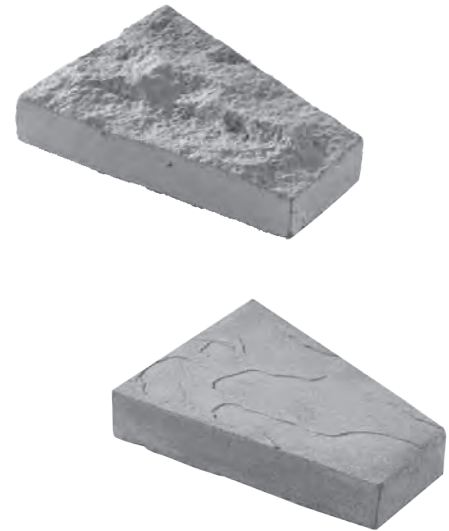
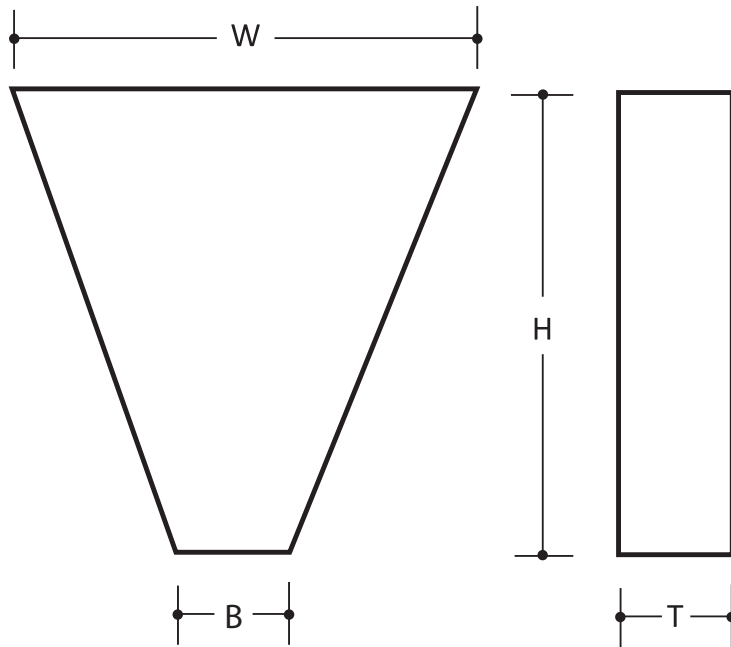
*Certain patterns are designed by Centurion to be laid with a mortar joint-like Rubble. For those patterns, the coverage area includes the mortar joint. For patterns designed to be drystack-like Ledge, the coverage area does not include a mortar joint

| Packaging/Skid | | Weights | |
|----------------|------|---------|------|
| # | Pcs. | Skid | Pcs. |
| 860 | 34 | 1326 | 37 |



| Standard Accessory Color Line | Color Code |
|-------------------------------|------------|
| APPALACHIA | 250-25 |
| BROWN | 200-25 |
| CHARDONAY | 180-65 |
| KENTUCKY | 260-15 |
| PENNSYLVANIA | 800-25 |
| MESA VALLEY | 930-65 |
| MISSOURI | 100-15 |
| PLAIN | 330-20 |
| SUEDE | 185-65 |
| TENNESSEE | 010-15 |
| TEXAS | 310-10 |
| TULSA | 791-15 |

KEYSTONES #880, 634



PATTERN DESCRIPTIONS AND DIMENSIONS

| Pattern | Texture | Code | T | H | W | Bottom Width |
|----------|---------------|------|----|--------|-------|--------------|
| KEYSTONE | Chiseled face | 634 | 2" | 10.25" | 7.75" | 4" |
| KEYSTONE | Slate face | 880 | 2" | 10.75" | 8" | 4" |

*thickness, height and width dimensions may have +/- tolerance due to hand casting of product

*trimming and shaping of pieces may be required around openings as well as maintaining a level and coarsed pattern

*Certain patterns are designed by Centurion to be laid with a mortar joint-like Rubble. For those patterns, the coverage area includes the mortar joint. For patterns designed to be drystack-like Ledge, the coverage area does not include a mortar joint

| # | Packaging | | Weights | | |
|-----|-----------|---------|---------|-----|------|
| | Pcs./Skid | Pcs/Box | Skid | Box | Pcs. |
| 634 | 60 | 4 | 480 | 35 | 6.8 |
| 880 | 60 | 4 | 540 | 35 | 7.7 |

| Standard Accessory Color Line | Color Code |
|-------------------------------|------------|
| APPALACHIA | 250-25 |
| BROWN | 200-25 |
| CHARDONAY | 180-65 |
| KENTUCKY | 260-15 |
| PENNSYLVANIA | 800-25 |
| MESA VALLEY | 930-65 |
| MISSOURI | 100-15 |
| PLAIN | 330-20 |
| SUEDE | 185-65 |
| TENNESSEE | 010-15 |
| TEXAS | 310-10 |
| TULSA | 791-15 |



LEDGESTONE #150



*thickness, height and width dimensions may have +/- tolerance due to hand casting of product
 *trimming and shaping of pieces may be required around openings as well as maintaining a level and coarsed pattern
 *Certain patterns are designed by Centurion to be laid with a mortar joint-like Rubble. For those patterns, the coverage area includes the mortar joint. For patterns designed to be drystacked-like Ledge, the coverage area does not include a mortar joint

PATTERN DESCRIPTIONS AND DIMENSIONS

| Pattern | Texture | Installation | T | H | W | Rec Joint |
|---------|---|--|----------------|----------|-------------------|-----------|
| LEDGE | Look of split layered stone. Long dimensional pieces. Narrow style gives edges a pronounced look. | Installed in a stacked design with no joint. Stack as tight as possible. | 1/2" to 2 3/4" | 1" to 3" | 6 3/4" to 16 3/4" | DRystack |

| Standard Color Line | Product Code | Recommended Accessory Color | Accessory Color Code |
|----------------------|--------------|-----------------------------|----------------------|
| APPALACHIAN | 150-250-15 | APPALACHIAN | 250-15 |
| BROWN | 150-200-25 | BROWN | 200-25 |
| BUCKS COUNTY | 150-701-25 | PENNSYLVANIA | 800-25 |
| COASTAL | 150-584-15 | COASTAL | 584-15 |
| GRAY | 150-030-45 | GRAY | 030-45 |
| HERMITAGE | 150-342-15 | COASTAL | 584-15 |
| KENTUCKY | 150-260-15 | KENTUCKY / TENNESSEE | 260-150 / 010-15 |
| LOUISVILLE | 150-262-15 | KENTUCKY / TENNESSEE | 260-15 / 010-15 |
| NORRIS GRAY | 150-817-15 | NORRIS GRAY | 817-15 |
| PENNSYLVANIA | 150-800-25 | PENNSYLVANIA | 800-25 |
| MT. RUNDLE NO ACCENT | 150-492-70 | MT. RUNDLE | 490-70 |
| SUEDE | 150-185-65 | MESA VALLEY / SUEDE | 930-65 / 185-65 |
| TEXAS | 150-310-10 | TEXAS | 310-10 |

| Packaging/Skid | Weights/Skid (Avg.) | |
|----------------|---------------------|------|
| | Sq.Ft. | Lbs. |
| Flats | 88 | 920 |
| Corners | 72 | 600 |



MESA #420



Blend of:
Ledgestone, Palos Verde & Stack

PATTERN DESCRIPTIONS AND DIMENSIONS

| Pattern | Texture | Installation | Thickness | Height | Width | Rec Joint |
|---------|---|--|------------|-----------|-----------|-----------|
| MESA | Square and rectangular pieces with flat spotter pieces. | Installed at random with long sides down and level. Spot in flat pieces at random. | 1.5" to 3" | 2" to 12" | 4" to 18" | DRystack |

*thickness, height and width dimensions may have +/- tolerance due to hand casting of product

*trimming and shaping of pieces may be required around openings as well as maintaining a level and coarsed pattern

*Certain patterns are designed by Centurion to be laid with a mortar joint-like Rubble. For those patterns, the coverage area includes the mortar joint. For patterns designed to be drystack-like Ledge, the coverage area does not include a mortar joint

| Standard Color Line | Product Code | Recommended Accessory Color | Accessory Color Code |
|---------------------|--------------|-----------------------------|----------------------|
| APPALACHIAN | 420-250-15 | APPALACHIAN | 250-15 |
| BUCKS COUNTY | 420-701-25 | PENNSYLVANIA | 800-25 |
| MT RUNDLE NO ACCENT | 420-492-70 | MT RUNDLE | 490-70 |
| PENNSYLVANIA | 420-800-25 | PENNSYLVANIA | 800-25 |

| Packaging/Skid | Weights/Skid (Avg.) | |
|----------------|---------------------|------|
| | Sq.Ft. | Lbs. |
| Flats | 90 | 870 |
| Corners | 80 | 600 |



MILANO #485



Blend of:
Hackett, LedgeStone, Silhouette Ledge
& Weatheredge

PATTERN DESCRIPTIONS AND DIMENSIONS

| Pattern | Texture | Installation | Thickness | Height | Width | Rec Joint |
|---------|---------------------------------------|-----------------------|--------------|----------|-----------|-----------|
| MILANO | Quarried look, rough chiseled pieces. | Lay at random design. | 1.5" to 2.5" | 2" to 6" | 4" to 18" | DRystack |

*thickness, height and width dimensions may have +/- tolerance due to hand casting of product

*trimming and shaping of pieces may be required around openings as well as maintaining a level and coarsed pattern

*Certain patterns are designed by Centurion to be laid with a mortar joint-like Rubble. For those patterns, the coverage area includes the mortar joint. For patterns designed to be drystack-like Ledge, the coverage area does not include a mortar joint

| Standard Color Line | Product Code | Recommended Accessory Color | Accessory Color Code |
|---------------------|--------------|-----------------------------|----------------------|
| BUCKS COUNTY | 485-701-25 | PENNSYLVANIA | 800-25 |
| KENTUCKY | 485-260-15 | KENTUCKY / TENNESSEE | 260-15 / 010-15 |
| PENNSYLVANIA | 485-800-25 | PENNSYLVANIA | 800-25 |
| SUEDE | 485-185-65 | SUEDE / MESA VALLEY | 185-65 / 930-65 |

| | Packaging/Skid | | Weights/Skid (Avg.) |
|---------|----------------|------|---------------------|
| | Sq.Ft. | Skid | |
| Flats | 93 | 900 | |
| Corners | 80 | 850 | |



MOUNTAIN LEDGE #210



PATTERN DESCRIPTIONS AND DIMENSIONS

| Pattern | Texture | Code | Thickness | Height | Width | Rec Joint |
|---------|--|------|----------------|--------|-----------|-----------|
| FLAT | Rugged distinct pieces of mountain ledge. Panels are designed for easy installation. | 210 | 3/4" to 1 1/2" | 4" | 8" to 12" | DRystack |
| CORNER | | | 3/4" to 1 1/2" | 4" | 8" | |

*thickness, height and width dimensions may have +/- tolerance due to hand casting of product

*trimming and shaping of pieces may be required around openings as well as maintaining a level and coarsed pattern

*Certain patterns are designed by Centurion to be laid with a mortar joint-like Rubble. For those patterns, the coverage area includes the mortar joint. For patterns designed to be drystack-like Ledge, the coverage area does not include a mortar joint

| Standard Color Line | Product Code | Recommended Accessory Color | Accessory Color Code |
|---------------------|--------------|-----------------------------|----------------------|
| AUSTIN | 210-647-10 | TEXAS | 310-10 |
| BUCKS COUNTY | 210-701-25 | PENNSYLVANIA | 800-25 |
| KENTUCKY | 210-260-15 | KENTUCKY / TENNESSEE | 260-15 / 010-15 |
| OXFORD | 210-469-20 | OXFORD | 469-20 |

| Packaging/Skid | | Weights/Skid (Avg.) |
|----------------|-------|---------------------|
| Flats | 88.88 | 875 |
| Corners | 72 | 700 |



OHIO LIMESTONE # 190



PATTERN DESCRIPTIONS AND DIMENSIONS

| Pattern | Texture | Installation | Thickness | Height | Width | Joint |
|----------------|--|---|--------------|------------------|---------------|-------|
| OHIO LIMESTONE | Semi-coursed pattern with a "chopped" face for a natural and more contemporary appearance. | A coarsed looking pattern yet no set pattern design. Installed level and plumb. | 1" to 1 3/4" | 1 3/4" to 8 1/2" | 5" to 17 1/2" | 3/4" |

* thickness, height and width dimensions may have +/- tolerance due to hand casting of product

* trimming and shaping of pieces may be required around openings as well as maintaining a level and coarsed pattern

* Certain patterns are designed by Centurion to be laid with a mortar joint-like Rubble. For those patterns, the coverage area includes the mortar joint. For patterns designed to be drystack-like Ledge, the coverage area does not include a mortar joint

| Standard Color Line | Product Code | Recommended Accessory Color | Accessory Color Code |
|---------------------|--------------|-----------------------------|----------------------|
| BROWNS VALLEY | 190-145-65 | CHARDONAY | 180-65 |
| DOVE | 190-031-45 | GRAY | 030-45 |
| LOUISVILLE | 190-262-15 | KENTUCKY / TENNESSEE | 260-15 / 010-15 |
| MILLWOOD | 190-333-20 | MILLWOOD | 333-20 |
| PLAIN | 190-330-20 | PLAIN | 330-20 |
| TULSA | 190-791-15 | TULSA | 791-15 |

| | Packaging | Weights (Avg) | |
|---------|-----------|---------------|--|
| | Sq.Ft. | Lbs. | |
| Flats | 108 | 1035 | |
| Corners | 96 | 920 | |



OMAHA #475



Blend of:
Ashlar, Rubble & Weatheredge

PATTERN DESCRIPTIONS AND DIMENSIONS

| Pattern | Texture | Installation | T | H | W | Joint |
|---------|---------------------------------------|-----------------------|--------------|----------|-----------|----------|
| OMAHA | Quarried look, rough chiseled pieces. | Lay at random design. | 1.5" to 2.5" | 2" to 6" | 4" to 18" | Drystack |

*thickness, height and width dimensions may have +/- tolerance due to hand casting of product

*trimming and shaping of pieces may be required around openings as well as maintaining a level and coarsed pattern

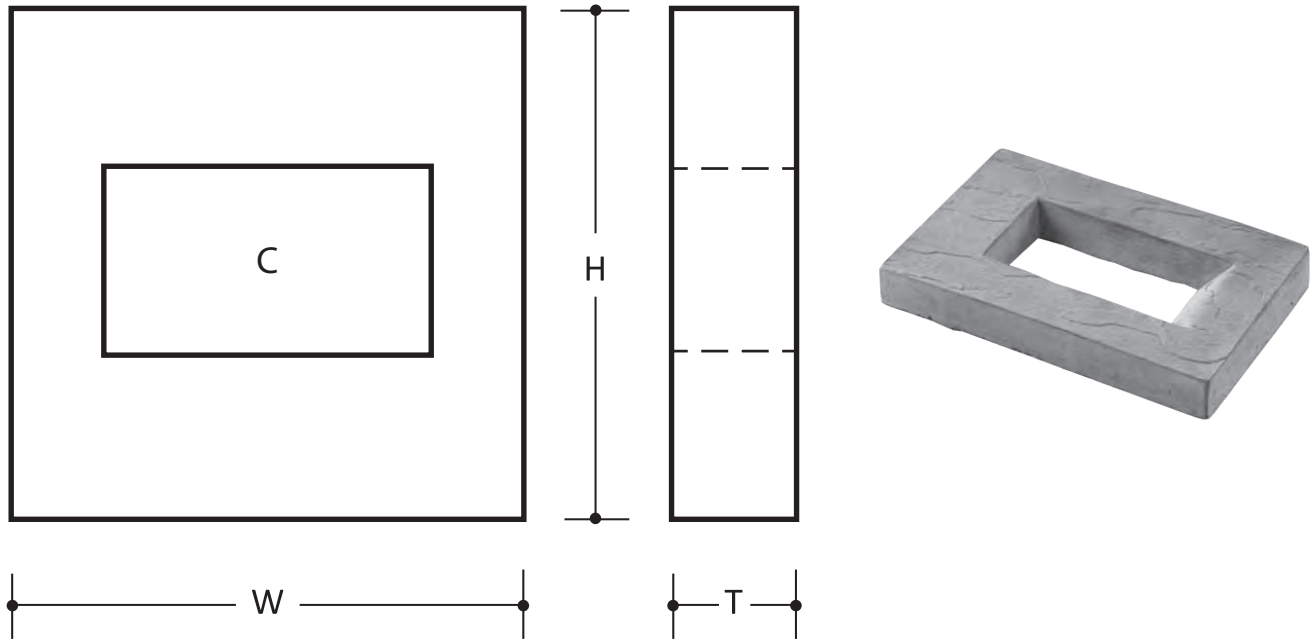
*Certain patterns are designed by Centurion to be laid with a mortar joint-like Rubble. For those patterns, the coverage area includes the mortar joint. For patterns designed to be drystack-like Ledge, the coverage area does not include a mortar joint

| Standard Color Line | Product Code | Recommended Accessory Color | Accessory Color Code |
|---------------------|--------------|-----------------------------|----------------------|
| BROWNS VALLEY | 475-145-65 | CHARDONAY | 180-65 |
| BUCKS COUNTY | 475-701-25 | PENNSYLVANIA | 800-25 |
| PENNSYLVANIA | 475-800-25 | PENNSYLVANIA | 800-25 |
| PLAIN | 475-330-20 | PLAIN | 330-20 |
| TULSA | 475-791-15 | TULSA | 791-15 |

| Packaging/Skid | Weights/Skid (Avg) | |
|----------------|--------------------|------|
| | Sq.Ft. | Lbs. |
| Flats | 99 | 975 |
| Corners | 80 | 950 |



OUTLET BOX TRIM #886, 888



PATTERN DESCRIPTIONS AND DIMENSIONS

| Pattern | Texture | Code | T | H | W | Cutout |
|-----------------|------------|------|------|-------|-------|---------------|
| OUTLET BOX TRIM | Slate face | 886 | 1.5" | 6.75" | 7.75" | 2.25" x 4.25" |
| OUTLET BOX TRIM | | 888 | 1.5" | 12" | 8" | 3.5" x 6.5" |

*thickness, height and width dimensions may have +/- tolerance due to hand casting of product

*trimming and shaping of pieces may be required around openings as well as maintaining a level and coarsed pattern

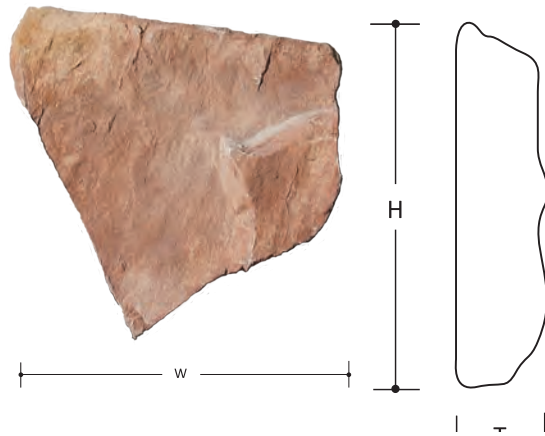
*Certain patterns are designed by Centurion to be laid with a mortar joint-like Rubble. For those patterns, the coverage area includes the mortar joint. For patterns designed to be drystack-like Ledge, the coverage area does not include a mortar joint

| Standard Accessory Color Line | Color Code |
|-------------------------------|------------|
| APPALACHIA | 250-25 |
| BROWN | 200-25 |
| CHARDONAY | 180-65 |
| KENTUCKY | 260-15 |
| PENNSYLVANIA | 800-25 |
| MESA VALLEY | 930-65 |
| MISSOURI | 100-15 |
| PLAIN | 330-20 |
| SUEDE | 185-65 |
| TENNESSEE | 010-15 |
| TEXAS | 310-10 |
| TULSA | 791-15 |

| # | Packaging | | Weights | | |
|-----|-----------|---------|---------|-----|------|
| | Pcs./Skid | Pcs/Box | Skid | Box | Pcs. |
| 886 | 120 | 8 | 480 | 40 | 3.4 |
| 888 | 120 | 4 | 480 | 18 | 3.4 |



PALOS VERDE #040



PATTERN DESCRIPTIONS AND DIMENSIONS

| Pattern | Texture | Installation | T | H | W | Joint |
|-------------|--|--|----------|-------------------|---------------|-------|
| PALOS VERDE | Large stone pattern. Quarried look with split flagstone texture. | Randomly installed with even sized joints. | 1" to 2" | 1 3/4" to 13 1/2" | 5" to 20 1/2" | 3/4" |

* thickness, height and width dimensions may have +/- tolerance due to hand casting of product

* trimming and shaping of pieces may be required around openings as well as maintaining a level and coarsed pattern

* Certain patterns are designed by Centurion to be laid with a mortar joint-like Rubble. For those patterns, the coverage area includes the mortar joint. For patterns designed to be drystack-like Ledge, the coverage area does not include a mortar joint

| Standard Color Line | Product Code | Recommended Accessory Color | Accessory Color Code |
|---------------------|--------------|-----------------------------|----------------------|
| BUCKS COUNTY | 040-701-25 | PENNSYLVANIA | 800-25 |
| KENTUCKY | 040-260-15 | KENTUCKY / TENNESSEE | 260-15 / 010-15 |
| PENNSYLVANIA | 040-800-25 | PENNSYLVANIA | 800-25 |

| Packaging/Skid | Weights/Skid (Avg) | |
|----------------|--------------------|------|
| | Sq.Ft. | Lbs. |
| Flats | 108 | 890 |
| Corners | 96 | 975 |



PLANTATION #295



PATTERN DESCRIPTIONS AND DIMENSIONS

| Pattern | Texture | T | H | W | Joint |
|---------|--|----------|---------------|-----------|-------|
| FLAT | Large individual pieces designed to be installed at random with a wide mortar joint. | 1" to 2" | 1 3/4" to 13" | 4" to 21" | 3/4" |

*thickness, height and width dimensions may have +/- tolerance due to hand casting of product

*trimming and shaping of pieces may be required around openings as well as maintaining a level and coarsed pattern

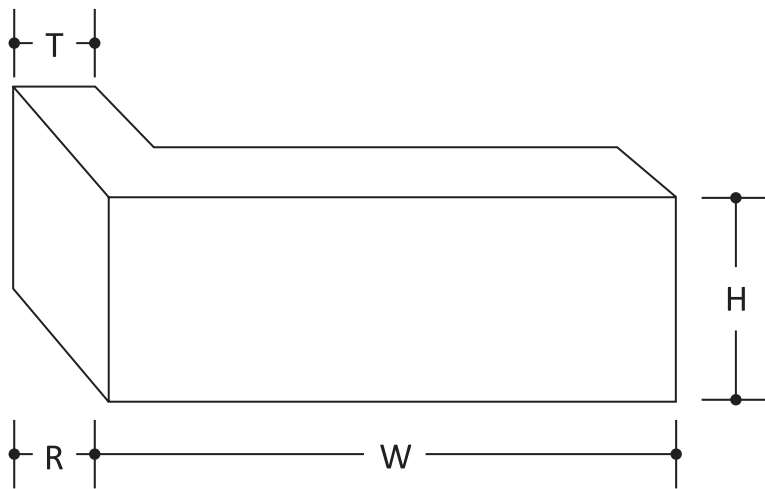
*Certain patterns are designed by Centurion to be laid with a mortar joint-like Rubble. For those patterns, the coverage area includes the mortar joint. For patterns designed to be drystack-like Ledge, the coverage area does not include a mortar joint

| Standard Color Line | Product Code | Recommended Accessory Color | Accessory Color Code |
|---------------------|--------------|-----------------------------|----------------------|
| BUCKS COUNTY | 295-701-25 | PENNSYLVANIA | 800-25 |
| LOUISVILLE | 295-262-15 | KENTUCKY / TENNESSEE | 260-15 / 010-15 |
| OXFORD | 295-469-20 | OXFORD | 469-20 |
| PENNSYLVANIA | 295-800-25 | PENNSYLVANIA | 800-25 |
| TULSA | 295-791-15 | TULSA | 791-15 |

| Packaging/Skid | Weights/Skid (Avg) | |
|----------------|--------------------|------|
| | Sq.Ft. | Lbs. |
| Flats | 108 | 890 |
| Corners | 96 | 820 |



QUOIN CORNERS #301



PATTERN DESCRIPTIONS AND DIMENSIONS

| Pattern | Texture | Code | T | H | W | Face |
|---------------|-------------|------|------|-----|-----|-------|
| QUOIN CORNERS | Smooth Face | 301 | 1.5" | 12" | 14" | 6.75" |

*thickness, height and width dimensions may have +/- tolerance due to hand casting of product

*trimming and shaping of pieces may be required around openings as well as maintaining a level and coarsed pattern

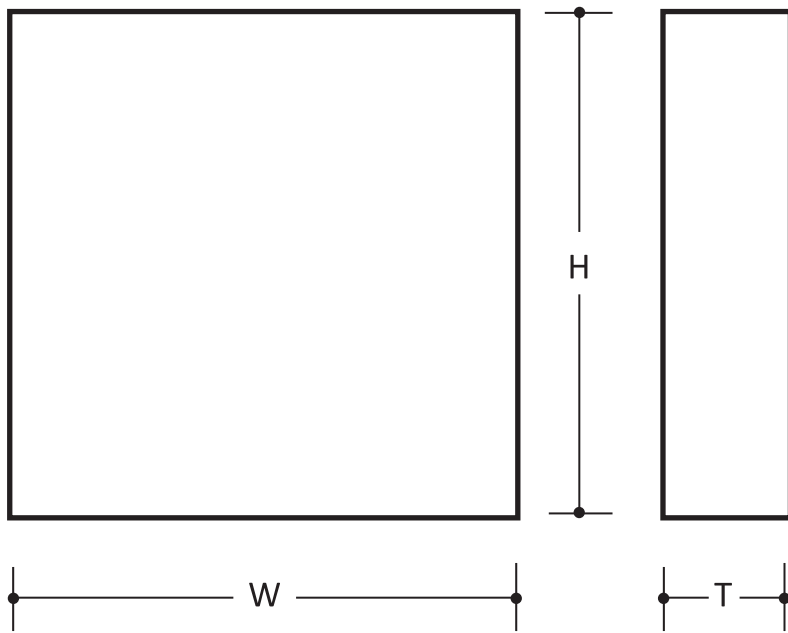
*Certain patterns are designed by Centurion to be laid with a mortar joint-like Rubble. For those patterns, the coverage area includes the mortar joint. For patterns designed to be drystack-like Ledge, the coverage area does not include a mortar joint

| Standard Accessory Color Line | Color Code |
|-------------------------------|------------|
| APPALACHIA | 250-25 |
| BROWN | 200-25 |
| CHARDONAY | 180-65 |
| KENTUCKY | 260-15 |
| PENNSYLVANIA | 800-25 |
| MESA VALLEY | 930-65 |
| MISSOURI | 100-15 |
| PLAIN | 330-20 |
| SUEDE | 185-65 |
| TENNESSEE | 010-15 |
| TEXAS | 310-10 |
| TULSA | 791-15 |

| Packaging/Skid | | Weights | |
|----------------|------|---------|------|
| # | Pcs. | Skid | Pcs |
| 301 | 32 | 960 | 27.6 |



QUOIN FLATS #302, 303



PATTERN DESCRIPTIONS AND DIMENSIONS

| Pattern | Texture | Code | T | H | W |
|-------------|-------------|------|--------|-----|-----|
| QUOIN FLATS | Smooth Face | 302 | 1 3/4" | 14" | 7" |
| | | 303 | 1 1/2" | 14" | 12" |

*thickness, height and width dimensions may have +/- tolerance due to hand casting of product

*trimming and shaping of pieces may be required around openings as well as maintaining a level and coarsed pattern

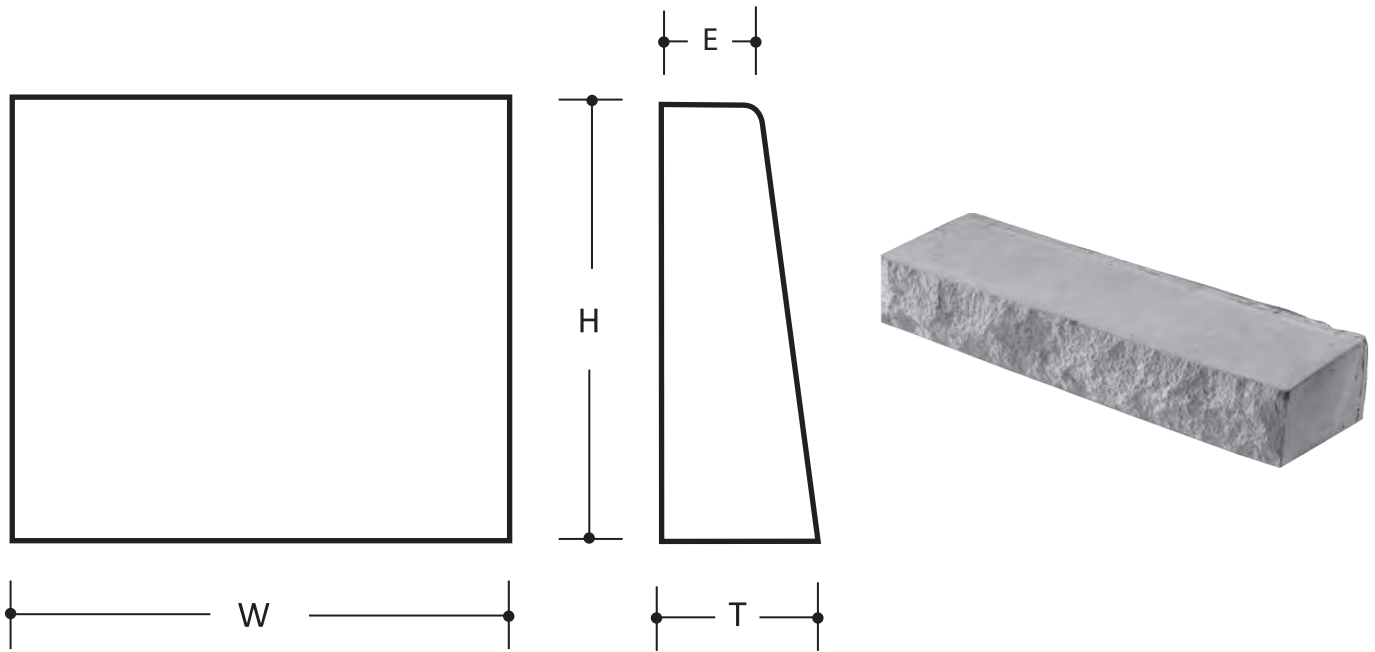
*Certain patterns are designed by Centurion to be laid with a mortar joint-like Rubble. For those patterns, the coverage area includes the mortar joint. For patterns designed to be drystack-like Ledge, the coverage area does not include a mortar joint

| Standard Accessory Color Line | Color Code |
|-------------------------------|------------|
| APPALACHIA | 250-25 |
| BROWN | 200-25 |
| CHARDONAY | 180-65 |
| KENTUCKY | 260-15 |
| PENNSYLVANIA | 800-25 |
| MESA VALLEY | 930-65 |
| MISSOURI | 100-15 |
| PLAIN | 330-20 |
| SUEDE | 185-65 |
| TENNESSEE | 010-15 |
| TEXAS | 310-10 |
| TULSA | 791-15 |

| Packaging/Skid | | Weights | |
|----------------|------|---------|-----|
| # | Pcs. | Skid | Pcs |
| 302 | 120 | 1800 | 14 |
| 303 | 112 | 1568 | 13 |



RETRO SILL #597



PATTERN DESCRIPTIONS AND DIMENSIONS

| Pattern | Texture | Code | T | H | W | Edge |
|------------|--------------------------|------|----|-------|-----|------|
| RETRO SILL | Chiseled face and edges. | 597 | 4" | 6.75" | 24" | 3.5" |

*thickness, height and width dimensions may have +/- tolerance due to hand casting of product

*trimming and shaping of pieces may be required around openings as well as maintaining a level and coarsed pattern

*Certain patterns are designed by Centurion to be laid with a mortar joint-like Rubble. For those patterns, the coverage area includes the mortar joint. For patterns designed to be drystack-like Ledge, the coverage area does not include a mortar joint

| Standard Accessory Color Line | Color Code |
|-------------------------------|------------|
| APPALACHIA | 250-25 |
| BROWN | 200-25 |
| CHARDONAY | 180-65 |
| KENTUCKY | 260-15 |
| PENNSYLVANIA | 800-25 |
| MESA VALLEY | 930-65 |
| MISSOURI | 100-15 |
| PLAIN | 330-20 |
| SUEDE | 185-65 |
| TENNESSEE | 010-15 |
| TEXAS | 310-10 |
| TULSA | 791-15 |

| Packaging/Skid | | Weights | |
|----------------|------|---------|------|
| # | Pcs. | Skid | Pcs. |
| 597 | 39 | 2142 | 49 |



RIVER ROCK #080



PATTERN DESCRIPTIONS AND DIMENSIONS

| Pattern | Texture | Installation | T | H | W | Joint |
|------------|--|---|---------------|-----------|-----------|-------|
| RIVER ROCK | Round and oval oblong pieces. Texture from years of water running over them. | Installed randomly with radises coming together to form even looking mortar joints. | 1.25" to 2.5" | 4" to 15" | 4" to 15" | 3/4" |

* thickness, height and width dimensions may have +/- tolerance due to hand casting of product

* trimming and shaping of pieces may be required around openings as well as maintaining a level and coarsed pattern

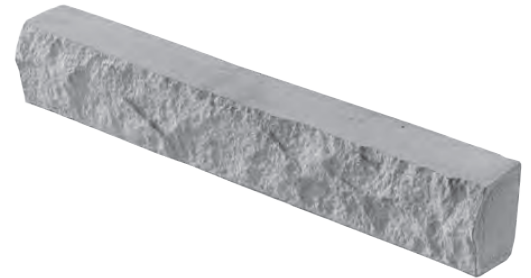
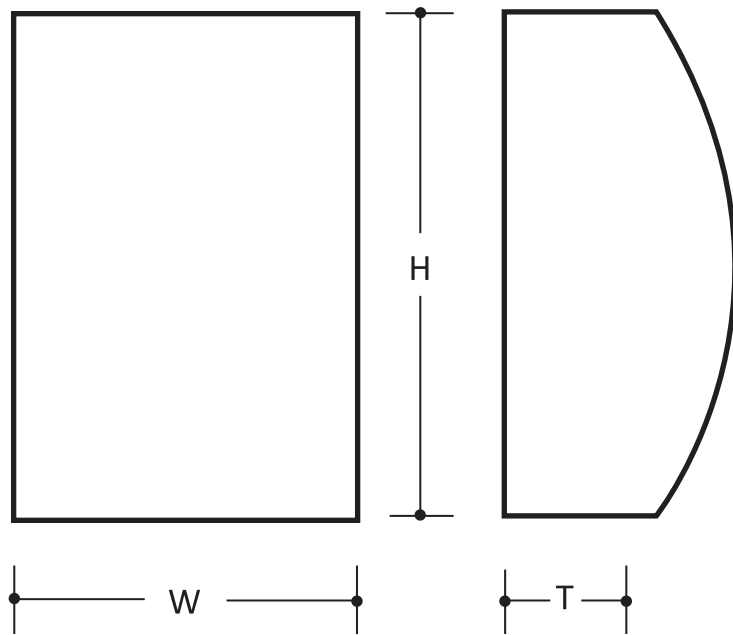
* Certain patterns are designed by Centurion to be laid with a mortar joint-like Rubble. For those patterns, the coverage area includes the mortar joint. For patterns designed to be drystack-like Ledge, the coverage area does not include a mortar joint

| Standard Color Line | Product Code | Recommended Accessory Color | Accessory Color Code |
|---------------------|--------------|-----------------------------|----------------------|
| DESERT RUST | 080-360-25 | CALIFORNIA | 220-25 |
| EARTH BLEND | 080-280-35 | CALIFORNIA | 220-25 |
| VALLEY BROOK | 080-719-25 | CALIFORNIA BASE MIX ONLY | 223-25 |

| Packaging/Skid | Weights/Skid (Avg) | |
|----------------|--------------------|------|
| | Sq.Ft. | Lbs. |
| Flats | 96 | 970 |
| Corners | 88 | 835 |



ROCK FACE SILL #878



PATTERN DESCRIPTIONS AND DIMENSIONS

| Pattern | Texture | Code | T | H | W |
|----------------|--------------------------|------|------|------|-----|
| ROCK FACE SILL | Chiseled face and edges. | 878 | 2.5" | 3.5" | 24" |

*thickness, height and width dimensions may have +/- tolerance due to hand casting of product

*trimming and shaping of pieces may be required around openings as well as maintaining a level and coarsed pattern

*Certain patterns are designed by Centurion to be laid with a mortar joint-like Rubble. For those patterns, the coverage area includes the mortar joint. For patterns designed to be drystack-like Ledge, the coverage area does not include a mortar joint

| Standard Accessory Color Line | Color Code |
|-------------------------------|------------|
| APPALACHIA | 250-25 |
| BROWN | 200-25 |
| CHARDONAY | 180-65 |
| KENTUCKY | 260-15 |
| PENNSYLVANIA | 800-25 |
| MESA VALLEY | 930-65 |
| MISSOURI | 100-15 |
| PLAIN | 330-20 |
| SUEDE | 185-65 |
| TENNESSEE | 010-15 |
| TEXAS | 310-10 |
| TULSA | 791-15 |

| Packaging/Skid | | Weights | |
|----------------|------|---------|------|
| # | Pcs. | Skid | Pcs. |
| 878 | 42 | 630 | 13.2 |



RUBBLE #250



*thickness, height and width dimensions may have +/- tolerance due to hand casting of product
 *trimming and shaping of pieces may be required around openings as well as maintaining a level and coarsed pattern
 *Certain patterns are designed by Centurion to be laid with a mortar joint-like Rubble. For those patterns, the coverage area includes the mortar joint. For patterns designed to be drystack-like Ledge, the coverage area does not include a mortar joint

PATTERN DESCRIPTIONS AND DIMENSIONS

| Pattern | Texture | Installation | T | H | W | Joint |
|---------|---|---|------------------------|------------------------|---------------------|-------|
| RUBBLE | A hand dressed tailored look. Pieces roughly squared and face chiseled. | A coarsed looking pattern yet no set pattern design. Installed level and plumb. | 1 1/4" to 2 1/2" | 2 1/2" to 8 3/4" | 4 3/4" to 20" | 3/4" |

| Standard Color Line | Product Code | Recommended Accessory Color | Accessory Color Code |
|---------------------|--------------|-----------------------------|----------------------|
| BUCKS COUNTY | 250-701-25 | PENNSYLVANIA | 800-25 |
| GRAY | 250-030-45 | GRAY | 030-45 |
| HERMITAGE | 250-342-15 | COASTAL | 584-15 |
| KENTUCKY | 250-262-15 | KENTUCKY / TENNESSEE | 260-15 / 010-15 |
| MESA VALLEY | 250-930-65 | MESA VALLEY | 930-65 |
| PENNSYLVANIA | 250-800-25 | PENNSYLVANIA | 800-25 |
| PLAIN | 250-330-20 | PLAIN | 330-20 |
| SUEDE | 250-185-65 | MESA VALLEY / SUEDE | 930-65 / 185-65 |
| TEXAS | 250-310-10 | TEXAS | 310-10 |
| TULSA | 250-791-15 | TULSA | 791-15 |

| Packaging/Skid | Weights/Skid (Avg) | |
|----------------|--------------------|------|
| | Sq.Ft. | Lbs. |
| Flats | 112 | 940 |
| Corners | 96 | 850 |



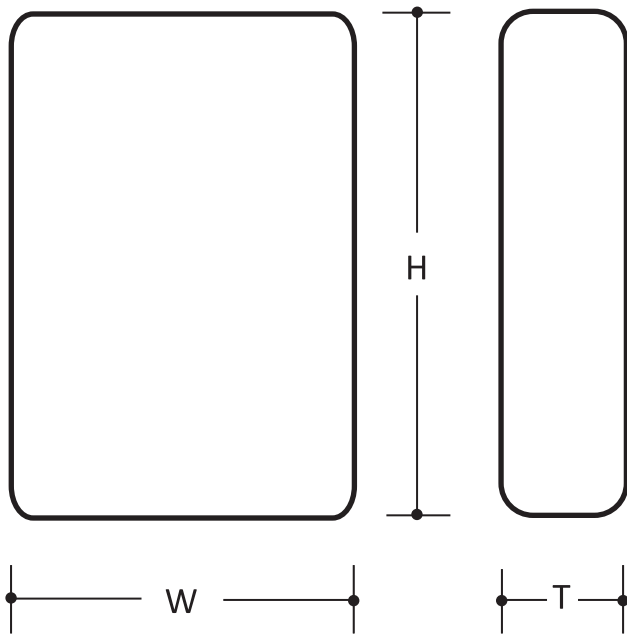
RUBBLE WINDOW STONE #610

#612

#613

#615

#616



PATTERN DESCRIPTIONS AND DIMENSIONS

| Pattern | Texture | Code | T | H | W |
|----------------------|------------------------|------|-------|------|-------|
| RUBBLE WINDOW STONES | Raised face and edges. | 610 | 1.25" | 5.5" | 11.5" |
| | | 615 | 1.25" | 4.5" | 5.5" |
| | | 616 | 1.25" | 5" | 8" |
| | Right tilted. | 612 | 1.25" | 5" | 7.5" |
| | Left tilted. | 613 | 1.25" | 5" | 7.5" |

| Standard Accessory Color Line | Color Code |
|-------------------------------|------------|
| APPALACHIA | 250-25 |
| BROWN | 200-25 |
| CHARDONAY | 180-65 |
| KENTUCKY | 260-15 |
| PENNSYLVANIA | 800-25 |
| MESA VALLEY | 930-65 |
| MISSOURI | 100-15 |
| PLAIN | 330-20 |
| SUEDE | 185-65 |
| TENNESSEE | 010-15 |
| TEXAS | 310-10 |
| TULSA | 791-15 |

| Packaging/Skid | | Weights | |
|----------------|------|---------|------|
| # | Pcs. | Skid | Pcs. |
| 610 | 240 | 720 | 2.7 |
| 615 | 480 | 480 | 1 |
| 616 | 480 | 720 | 2.7 |
| 612 | 480 | 720 | 2.7 |
| 613 | 480 | 720 | 2.7 |

*thickness, height and width dimensions may have +/- tolerance due to hand casting of product

*trimming and shaping of pieces may be required around openings as well as maintaining a level and coarsed pattern

*Certain patterns are designed by Centurion to be laid with a mortar joint-like Rubble. For those patterns, the coverage area includes the mortar joint. For patterns designed to be drystack-like Ledge, the coverage area does not include a mortar joint



RUSTIC #900



Blend of:
Stack & Rubble

PATTERN DESCRIPTIONS AND DIMENSIONS

| Pattern | Texture | Installation | T | H | W | Rec Joint |
|---------|---|--|--------------|----------|-----------|-----------|
| RUSTIC | Predominately square; rectangular design. | Install with long side down and level. | 1.5" to 2.5" | 2" to 6" | 4" to 20" | DRystack |

*thickness, height and width dimensions may have +/- tolerance due to hand casting of product

*trimming and shaping of pieces may be required around openings as well as maintaining a level and coarsed pattern

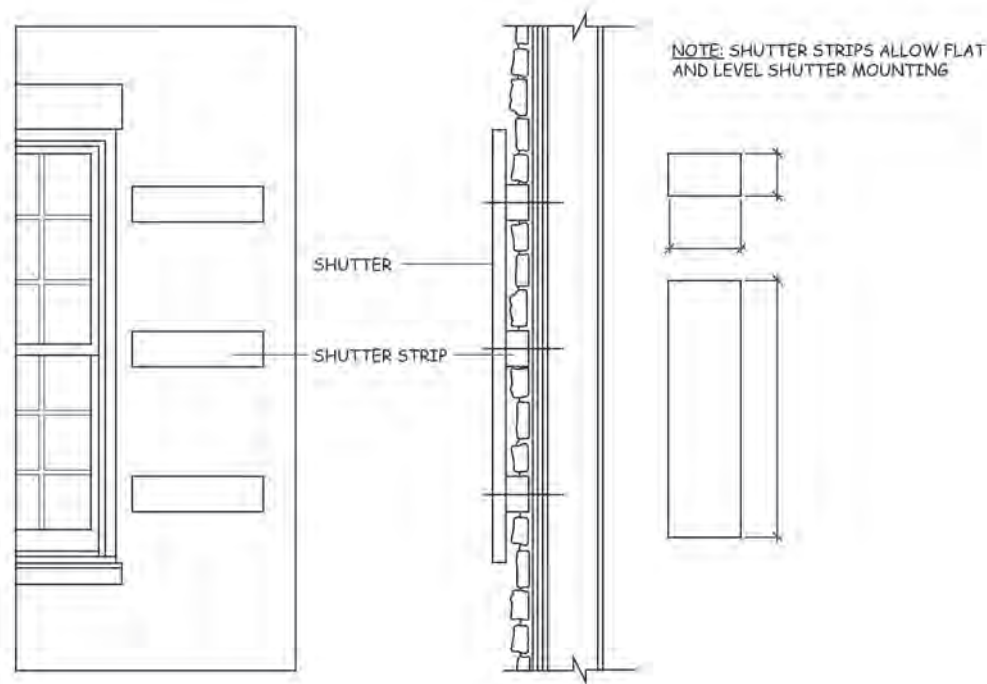
*Certain patterns are designed by Centurion to be laid with a mortar joint-like Rubble. For those patterns, the coverage area includes the mortar joint. For patterns designed to be drystack-like Ledge, the coverage area does not include a mortar joint

| Standard Color Line | Product Code | Recommended Accessory Color | Accessory Color Code |
|---------------------|--------------|-----------------------------|----------------------|
| ARIZONA | 900-724-25 | BROWN | 200-25 |
| BROWN | 900-200-25 | BROWN | 200-25 |
| BUCKS COUNTY | 900-701-25 | PENNSYLVANIA | 800-25 |
| GRAY | 900-030-45 | GRAY | 030-45 |
| HERMITAGE | 900-342-15 | COASTAL | 584-15 |
| LOUISVILLE | 900-262-15 | KENTUCKY / TENNESSEE | 260-15 / 010-15 |
| KENTUCKY | 900-260-15 | KENTUCKY / TENNESSEE | 260-15 / 010-15 |
| PENNSYLVANIA | 900-800-25 | PENNSYLVANIA | 800-25 |
| PLAIN | 900-330-20 | PLAIN | 330-20 |
| SUEDE | 900-185-65 | MESA VALLEY / SUEDE | 930-65 / 185-65 |

| | Packaging/Skid | Weights/Skid (Avg) |
|---------|----------------|--------------------|
| | Sq.Ft. | Lbs. |
| Flats | 94 | 915 |
| Corners | 80 | 700 |



SHUTTER STRIP #810



PATTERN DESCRIPTIONS AND DIMENSIONS

| Pattern | Texture | Code | T | H | W |
|---------------|--------------------------------|------|----|----|--------|
| SHUTTER STRIP | Square cut edges, smooth face. | 810 | 2" | 4" | 14.25" |

*thickness, height and width dimensions may have +/- tolerance due to hand casting of product

*trimming and shaping of pieces may be required around openings as well as maintaining a level and coarsed pattern

*Certain patterns are designed by Centurion to be laid with a mortar joint-like Rubble. For those patterns, the coverage area includes the mortar joint. For patterns designed to be drystack-like Ledge, the coverage area does not include a mortar joint

| Standard Accessory Color Line | Color Code |
|-------------------------------|------------|
| APPALACHIA | 250-25 |
| BROWN | 200-25 |
| CHARDONAY | 180-65 |
| KENTUCKY | 260-15 |
| PENNSYLVANIA | 800-25 |
| MESA VALLEY | 930-65 |
| MISSOURI | 100-15 |
| PLAIN | 330-20 |
| SUEDE | 185-65 |
| TENNESSEE | 010-15 |
| TEXAS | 310-10 |
| TULSA | 791-15 |

| Packaging/Skid | | Weights | |
|----------------|------|---------|------|
| # | Pcs. | Skid | Pcs. |
| 810 | 126 | 756 | 5.4 |



SILHOUETTE LEDGE #160



PATTERN DESCRIPTIONS AND DIMENSIONS

| Pattern | Texture | Installation | T | H | W | Joint |
|------------------|--------------------------------------|--|----------------|------------------|---------------|-------|
| SILHOUETTE LEDGE | Rugged textured from angular facets. | Installed at random with even sized mortar joints. | 1/2" to 2 3/4" | 1 1/4" to 5 1/2" | 4 1/2" to 19" | 3/4" |

* thickness, height and width dimensions may have +/- tolerance due to hand casting of product

* trimming and shaping of pieces may be required around openings as well as maintaining a level and coarsed pattern

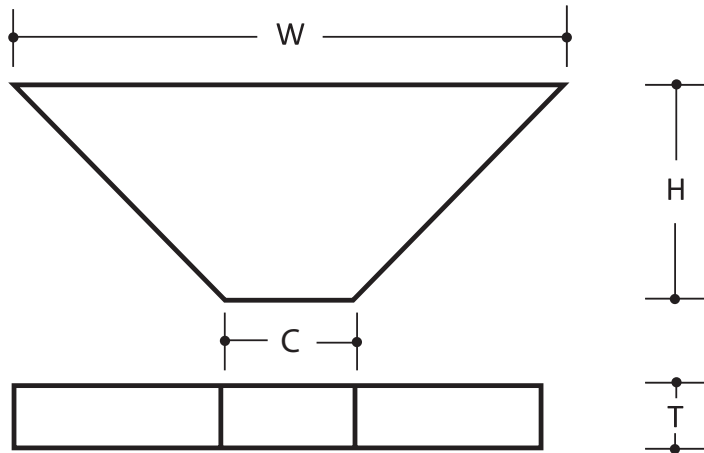
* Certain patterns are designed by Centurion to be laid with a mortar joint-like Rubble. For those patterns, the coverage area includes the mortar joint. For patterns designed to be drystack-like Ledge, the coverage area does not include a mortar joint

| Standard Color Line | Product Code | Recommended Accessory Color | Accessory Color Code |
|---------------------|--------------|-----------------------------|----------------------|
| BUCKS COUNTY | 160-701-25 | PENNSYLVANIA | 800-25 |
| CATALINA | 160-690-25 | PENNSYLVANIA | 800-25 |
| PENNSYLVANIA | 160-800-25 | PENNSYLVANIA | 800-25 |
| PLAIN | 160-330-20 | PLAIN | 330-20 |
| SUEDE | 160-185-65 | MESA VALLEY / SUEDE | 930-65 / 185-65 |

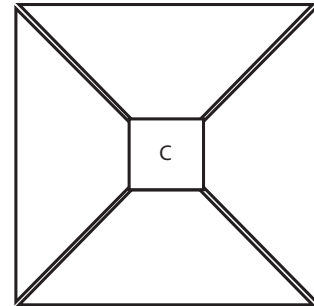
| Packaging/Skid | Weights/Skid (Avg) | |
|----------------|--------------------|------|
| | Sq.Ft. | Lbs. |
| Flats | 100 | 770 |
| Corners | 72 | 830 |



SPLIT FLAT COLUMN CAP #866



4 pieces per set and sold by the set



PATTERN DESCRIPTIONS AND DIMENSIONS

| Pattern | Texture | Code | T | H | W | Cutout |
|-----------------------|----------------------------|------|-------|-------|-----|--------|
| SPLIT FLAT COLUMN CAP | Slate top. Chiseled edges. | 866 | 4.25" | 11.5" | 28" | 7" |

*thickness, height and width dimensions may have +/- tolerance due to hand casting of product

*trimming and shaping of pieces may be required around openings as well as maintaining a level and coarsed pattern

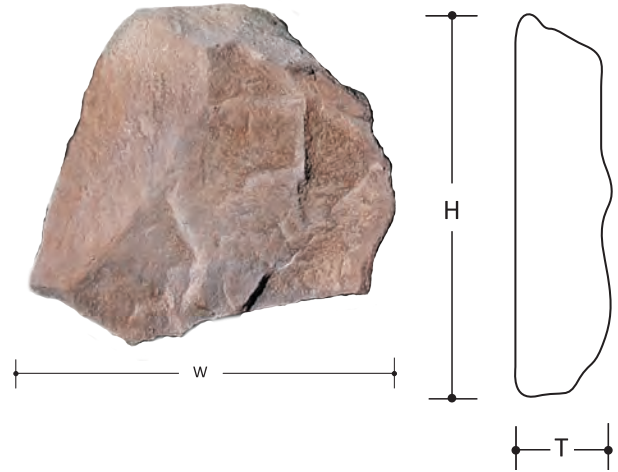
*Certain patterns are designed by Centurion to be laid with a mortar joint-like Rubble. For those patterns, the coverage area includes the mortar joint. For patterns designed to be drystack-like Ledge, the coverage area does not include a mortar joint

| Standard Accessory Color Line | Color Code |
|-------------------------------|------------|
| APPALACHIA | 250-25 |
| BROWN | 200-25 |
| CHARDONAY | 180-65 |
| KENTUCKY | 260-15 |
| PENNSYLVANIA | 800-25 |
| MESA VALLEY | 930-65 |
| MISSOURI | 100-15 |
| PLAIN | 330-20 |
| SUEDE | 185-65 |
| TENNESSEE | 010-15 |
| TEXAS | 310-10 |
| TULSA | 791-15 |

| Packaging/Skid | | Weights | |
|----------------|----------------|---------|--------------------------------|
| # | Pcs. | Skid | Pcs. |
| 866 | 20 (5 sets) | 1140 | 57 lbs ea (228 lbs per set) |



SPLITFACE #485



PATTERN DESCRIPTIONS AND DIMENSIONS

| Pattern | Texture | Installation | T | H | W | Rec Joint |
|-----------|--|--|----------------|---------------|---------------|-----------|
| SPLITFACE | A split hand dressed stone. Extraordinary depth is from angular facets of varying sizes. | Installed at random with even sized mortar joints. | 3/4" to 1 1/2" | 2 3/4" to 13" | 4" to 16 3/4" | 3/4" |

*thickness, height and width dimensions may have +/- tolerance due to hand casting of product

*trimming and shaping of pieces may be required around openings as well as maintaining a level and coarsed pattern

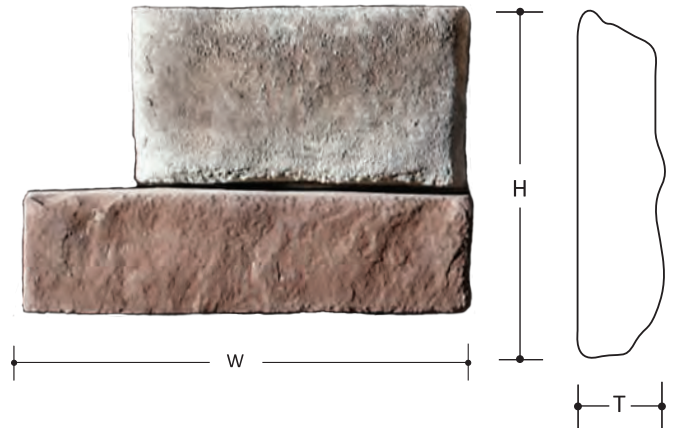
*Certain patterns are designed by Centurion to be laid with a mortar joint-like Rubble. For those patterns, the coverage area includes the mortar joint. For patterns designed to be drystack-like Ledge, the coverage area does not include a mortar joint

| Standard Color Line | Product Code | Recommended Accessory Color | Accessory Color Code |
|---------------------|--------------|-----------------------------|----------------------|
| BUCKS COUNTY | 200-701-25 | PENNSYLVANIA | 800-25 |
| ENGLISH | 200-270-15 | APPALACHIAN | 250-15 |
| NEW ENGLAND | 200-290-15 | APPALACHIAN | 250-15 |
| PENNSYLVANIA | 200-800-25 | PENNSYLVANIA | 800-25 |
| PLAIN | 200-330-20 | PLAIN | 330-20 |

| Packaging/Skid | Weights/Skid (Avg) | |
|----------------|--------------------|------|
| | Sq.Ft. | Lbs. |
| Flats | 92 | 955 |
| Corners | 88 | 750 |



STACK #100



PATTERN DESCRIPTIONS AND DIMENSIONS

| Pattern | Texture | Installation | T | H | W | Joint |
|---------|---------------------------------------|---|--------------|----------|---------------|----------|
| STACK | Texture from smooth to gillotine cut. | Installed on a horizontal plane with no pieces on a vertical plane. A tight fitted pattern when drystacked. Mortar joint is acceptable. | 1" to 2 1/4" | 1" to 4" | 3 1/2" to 18" | Drystack |

*thickness, height and width dimensions may have +/- tolerance due to hand casting of product

*trimming and shaping of pieces may be required around openings as well as maintaining a level and coarsed pattern

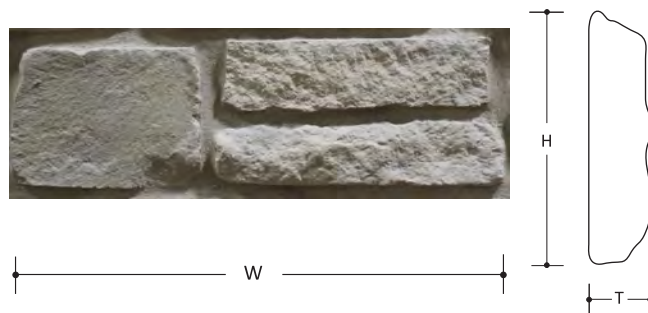
*Certain patterns are designed by Centurion to be laid with a mortar joint-like Rubble. For those patterns, the coverage area includes the mortar joint. For patterns designed to be drystacked-like Ledge, the coverage area does not include a mortar joint

| Standard Color Line | Product Code | Recommended Accessory Color | Accessory Color Code |
|---------------------|--------------|-----------------------------|----------------------|
| BROWNS VALLEY | 100-145-65 | CHARDONAY | 180-65 |
| BUCKS COUNTY | 100-701-25 | PENNSYLVANIA | 800-25 |
| COASTAL | 100-584-15 | COASTAL | 584-15 |
| GRAY | 100-030-45 | GRAY | 030-45 |
| KENTUCKY | 100-260-15 | KENTUCKY / TENNESSEE | 260-15 / 010-15 |
| NORRIS GRAY | 100-817-15 | NORRIS GRAY | 817-15 |
| OXFORD | 100-469-20 | OXFORD | 469-20 |
| PENNSYLVANIA | 100-800-25 | PENNSYLVANIA | 800-25 |
| PLAIN | 100-330-20 | PLAIN | 330-20 |
| SUEDE | 100-185-65 | MESA VALLEY / SUEDE | 930-65 / 185-65 |

| Packaging/Skid | Weights/Skid (Avg) | |
|----------------|--------------------|------|
| | Sq.Ft. | Lbs. |
| Flats | 88 | 950 |
| Corners | 72 | 585 |



Topeka #175



*thickness, height and width dimensions may have +/- tolerance due to hand casting of product
 *trimming and shaping of pieces may be required around openings as well as maintaining a level and coarsed pattern
 *Certain patterns are designed by Centurion to be laid with a mortar joint-like Rubble. For those patterns, the coverage area includes the mortar joint. For patterns designed to be drystack-like Ledge, the coverage area does not include a mortar joint

PATTERN DESCRIPTIONS AND DIMENSIONS

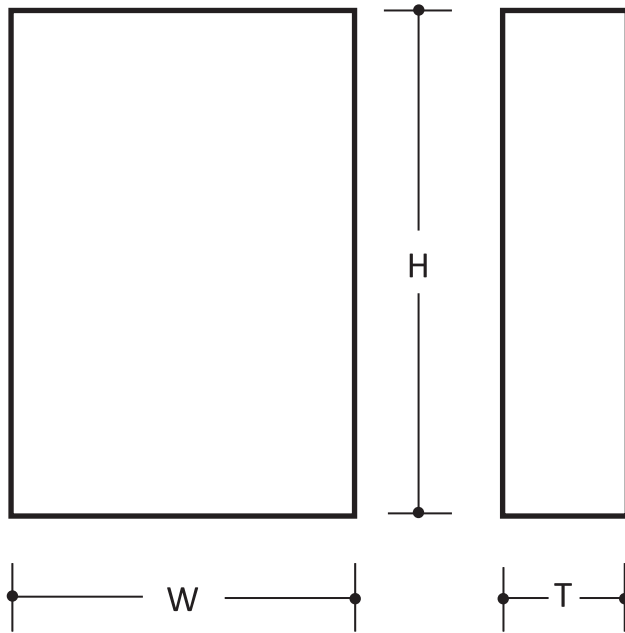
| Pattern | Texture | Installation | T | H | W | Joint |
|---------|--|---|----------------------|---------------------|-----------------|-------|
| Topeka | This pattern was designed to showcase the Split or Satin finish of natural stone | This Pattern is designed to be laid in a random pattern with a 3/4" joint | 3/4" to 1 3/4" | 3 3/4" to 22" | 2" to 12" | 3/4" |

| Standard Color Line | Product Code | Recommended Accessory Color | Accessory Color Code |
|---------------------|--------------|-----------------------------|----------------------|
| BUCKS COUNTY | 250-701-25 | PENNSYLVANIA | 800-25 |
| Harpeth | 250-476-47 | Harpeth | 476-47 |
| HERMITAGE | 250-342-15 | COASTAL | 584-15 |
| KENTUCKY | 250-262-15 | KENTUCKY / TENNESSEE | 260-15 / 010-15 |
| LoneStar | 250-623-25 | Lonestar | 623-25 |
| PENNSYLVANIA | 250-800-25 | PENNSYLVANIA | 800-25 |
| PLAIN | 250-330-20 | PLAIN | 330-20 |
| Santos | 250-673-18 | Santos | 673-18 |
| TEXAS | 250-310-10 | TEXAS | 310-10 |
| TULSA | 250-791-15 | TULSA | 791-15 |

| Packaging/Skid | Weights/Skid (Avg) | |
|----------------|--------------------|------|
| | Sq.Ft. | Lbs. |
| Flats | 112 | 850 |
| Corners | 96 | 800 |



TRIM STONE #611



PATTERN DESCRIPTIONS AND DIMENSIONS

| Pattern | Texture | Code | T | H | W |
|------------|-------------------------------|------|----|----|----|
| TRIM STONE | Square cut edges. Slate face. | 611 | 2" | 6" | 8" |

*thickness, height and width dimensions may have +/- tolerance due to hand casting of product

*trimming and shaping of pieces may be required around openings as well as maintaining a level and coarsed pattern

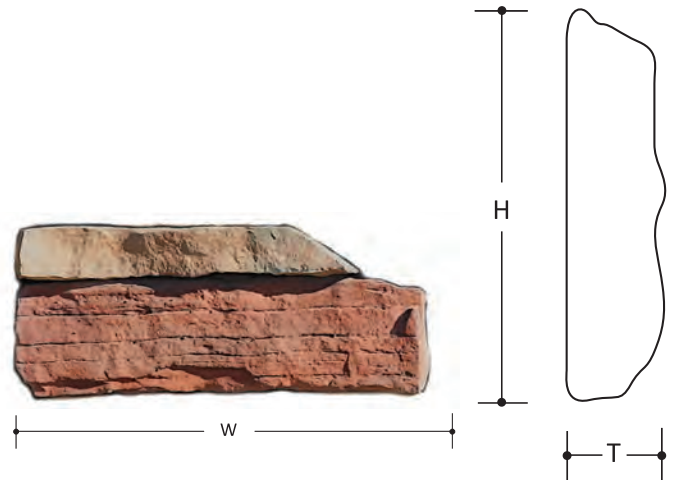
*Certain patterns are designed by Centurion to be laid with a mortar joint-like Rubble. For those patterns, the coverage area includes the mortar joint. For patterns designed to be drystack-like Ledge, the coverage area does not include a mortar joint

| Standard Accessory Color Line | Color Code |
|-------------------------------|------------|
| APPALACHIA | 250-25 |
| BROWN | 200-25 |
| CHARDONAY | 180-65 |
| KENTUCKY | 260-15 |
| PENNSYLVANIA | 800-25 |
| MESA VALLEY | 930-65 |
| MISSOURI | 100-15 |
| PLAIN | 330-20 |
| SUEDE | 185-65 |
| TENNESSEE | 010-15 |
| TEXAS | 310-10 |
| TULSA | 791-15 |

| Packaging/Skid | | Weights | |
|----------------|------|---------|------|
| # | Pcs. | Skid | Pcs. |
| 611 | 108 | 648 | 5.3 |



VINE HILL #410



Blend of:
Palos Verde & Weatheredge

PATTERN DESCRIPTIONS AND DIMENSIONS

| Pattern | Texture | Installation | T | H | W | Rec Joint |
|-----------|---|---|------------|--------------|-----------|-----------|
| VINE HILL | Predominately square and rectangular with irregular spotter pieces. | Installed on a level pattern with long side down. Spotter pieces randomly placed. | 1.5" to 3" | 2.25" to 12" | 4" to 23" | DRystack |

*thickness, height and width dimensions may have +/- tolerance due to hand casting of product

*trimming and shaping of pieces may be required around openings as well as maintaining a level and coarsed pattern

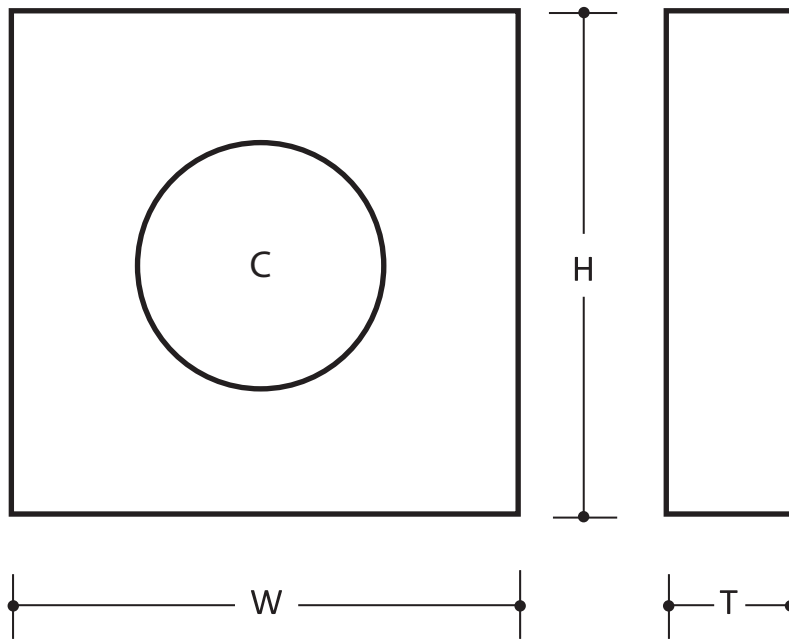
*Certain patterns are designed by Centurion to be laid with a mortar joint-like Rubble. For those patterns, the coverage area includes the mortar joint. For patterns designed to be drystack-like Ledge, the coverage area does not include a mortar joint

| Standard Color Line | Product Code | Recommended Accessory Color | Accessory Color Code |
|---------------------|--------------|-----------------------------|----------------------|
| GRAY | 410-030-45 | GRAY | 030-45 |
| LOUISVILLE | 410-262-15 | KENTUCKY / TENNESSEE | 260-15 / 010-15 |
| PENNSYLVANIA | 410-800-25 | PENNSYLVANIA | 800-25 |
| SUEDE | 410-185-65 | MESA VALLEY / SUEDE | 930-65 / 185-65 |

| Packaging/Skid | Weights/Skid (Avg) | |
|----------------|--------------------|------|
| | Sq.Ft. | Lbs. |
| Flats | 102 | 1000 |
| Corners | 80 | 865 |



WATER BIB TRIM #890



PATTERN DESCRIPTIONS AND DIMENSIONS

| Pattern | Texture | Code | T | H | W | Cutout |
|----------------|-------------|------|------|-------|-------|--------|
| WATER BIB TRIM | Slate face. | 890 | 1.5" | 6.75" | 7.75" | 1.5" |

*thickness, height and width dimensions may have +/- tolerance due to hand casting of product

*trimming and shaping of pieces may be required around openings as well as maintaining a level and coarsed pattern

*Certain patterns are designed by Centurion to be laid with a mortar joint-like Rubble. For those patterns, the coverage area includes the mortar joint. For patterns designed to be drystack-like Ledge, the coverage area does not include a mortar joint

| Standard Accessory Color Line | Color Code |
|-------------------------------|------------|
| APPALACHIA | 250-25 |
| BROWN | 200-25 |
| CHARDONAY | 180-65 |
| KENTUCKY | 260-15 |
| PENNSYLVANIA | 800-25 |
| MESA VALLEY | 930-65 |
| MISSOURI | 100-15 |
| PLAIN | 330-20 |
| SUEDE | 185-65 |
| TENNESSEE | 010-15 |
| TEXAS | 310-10 |
| TULSA | 791-15 |

| # | Packaging | | Weights | | |
|-----|-----------|---------|---------|-----|------|
| | Pcs./Skid | Pcs/Box | Skid | Box | Pcs. |
| 890 | 120 | 8 | 720 | 43 | 5.4 |



WEATHEREDGE #260



PATTERN DESCRIPTIONS AND DIMENSIONS

| Pattern | Texture | Installation | T | H | W | Joint |
|-------------|--|---|--------------|----------|---------------|-------|
| WEATHEREDGE | The look of weathering erosion highlights the edges of this pattern. | Installed on horizontal level plane with mortar joint. No stones to be laid in vertical or angled position. | 1" to 2 1/2" | 1" to 7" | 6 1/2" to 23" | 3/4" |

*thickness, height and width dimensions may have +/- tolerance due to hand casting of product

*trimming and shaping of pieces may be required around openings as well as maintaining a level and coarsed pattern

*Certain patterns are designed by Centurion to be laid with a mortar joint-like Rubble. For those patterns, the coverage area includes the mortar joint. For patterns designed to be drystacked-like Ledge, the coverage area does not include a mortar joint

| Standard Color Line | Product Code | Recommended Accessory Color | Accessory Color Code |
|---------------------|--------------|-----------------------------|----------------------|
| BUCKS COUNTY | 260-701-25 | PENNSYLVANIA | 800-25 |
| KENTUCKY | 260-260-15 | KENTUCKY / TENNESSEE | 260-15 / 010-15 |
| MESA VALLEY | 260-930-65 | MESA VALLEY / SUEDE | 930-65 / 185-65 |
| PENNSYLVANIA | 260-800-25 | PENNSYLVANIA | 800-25 |
| TULSA | 260-791-15 | TULSA | 791-15 |

| Packaging/Skid | Weights/Skid (Avg) | |
|----------------|--------------------|------|
| | Sq.Ft. | Lbs. |
| Flats | 116 | 1075 |
| Corners | 80 | 1070 |

