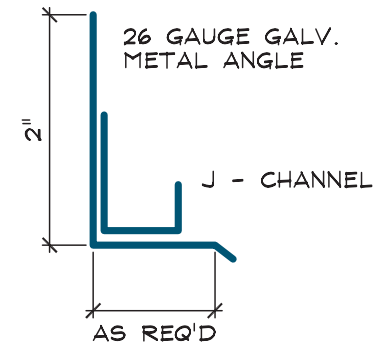
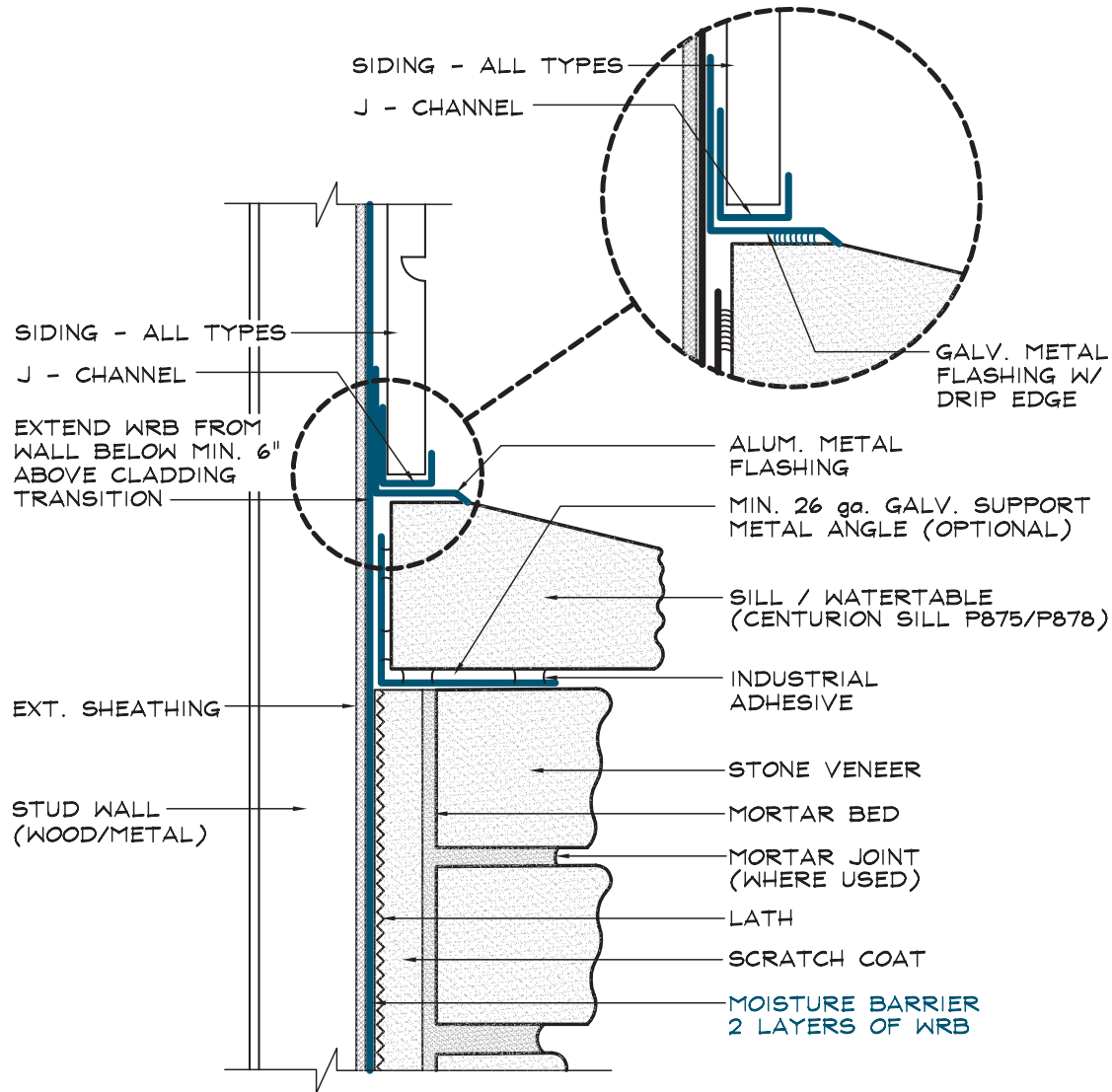


SPECIFICATIONS:

APPLIED: PER CENTURION STONE VENEER
INSTALLATION PROCEDURES REFERENCE
ICC ES REPORT ESR-2239 FOR SPECIFIC CODE
REQUIREMENTS



NOT TO SCALE



Centurion Products, Inc.
50 Van Buren Street
Nashville, TN 37208
www.CenturionStone.com

**WATERTABLE SET WITH
ANGLE SUPPORT**

J3