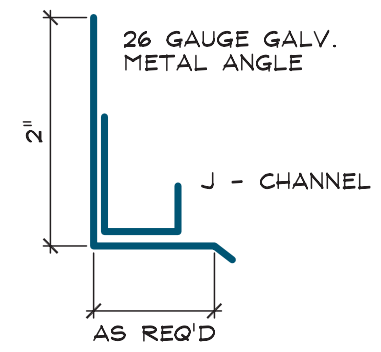


**SPECIFICATIONS:**  
 APPLIED: PER CENTURION STONE VENEER  
 INSTALLATION PROCEDURES REFERENCE  
 ICC ES REPORT ESR-2239 FOR SPECIFIC CODE  
 REQUIREMENTS



NOT TO SCALE



Centurion Products, Inc.  
 50 Van Buren Street  
 Nashville, TN 37208  
 www.CenturionStone.com

**WATERTABLE SET  
 WITH MASONRY**

J4