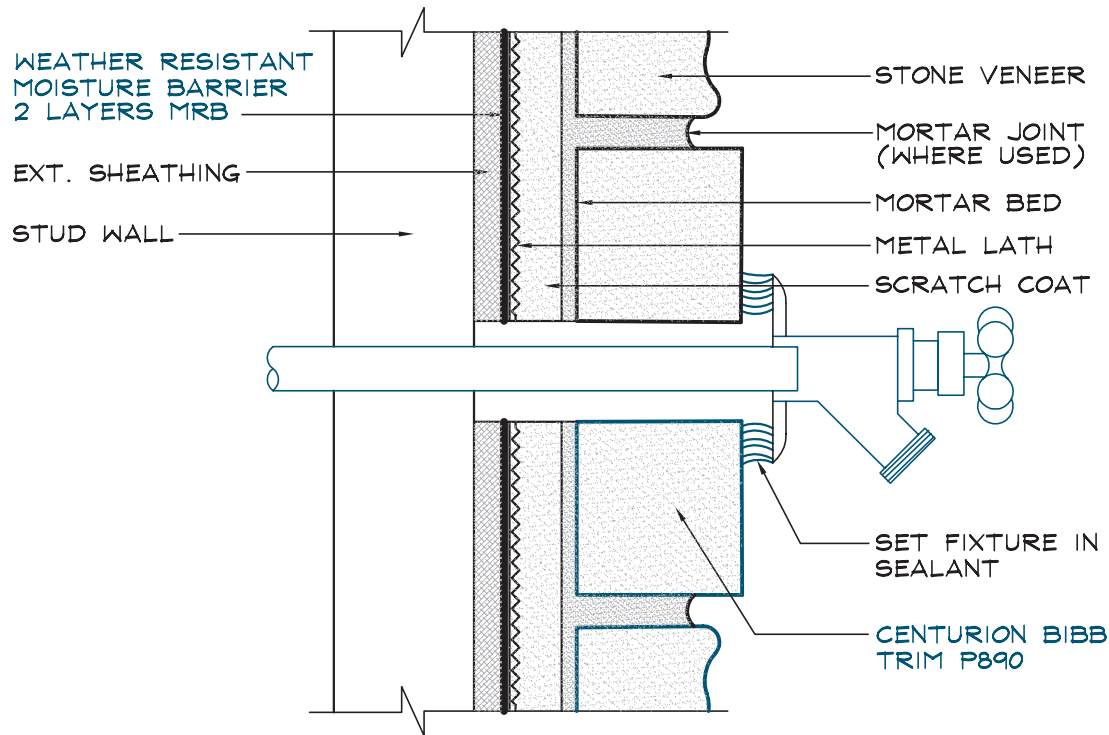


WATER BIB TRIM P890



SPECIFICATIONS:

APPLIED: PER CENTURION STONE VENEER INSTALLATION PROCEDURES REFERENCE ICC ES REPORT ESR-2239 FOR SPECIFIC CODE REQUIREMENTS

NOTE: BE SURE TO BED ALL COVERS AND FLANGES IN SEALANT BEFORE FASTENING TO WALL.

NOT TO SCALE



Centurion Products, Inc.
50 Van Buren Street
Nashville, TN 37208
www.CenturionStone.com

WATER BIB TRIM P890

K4