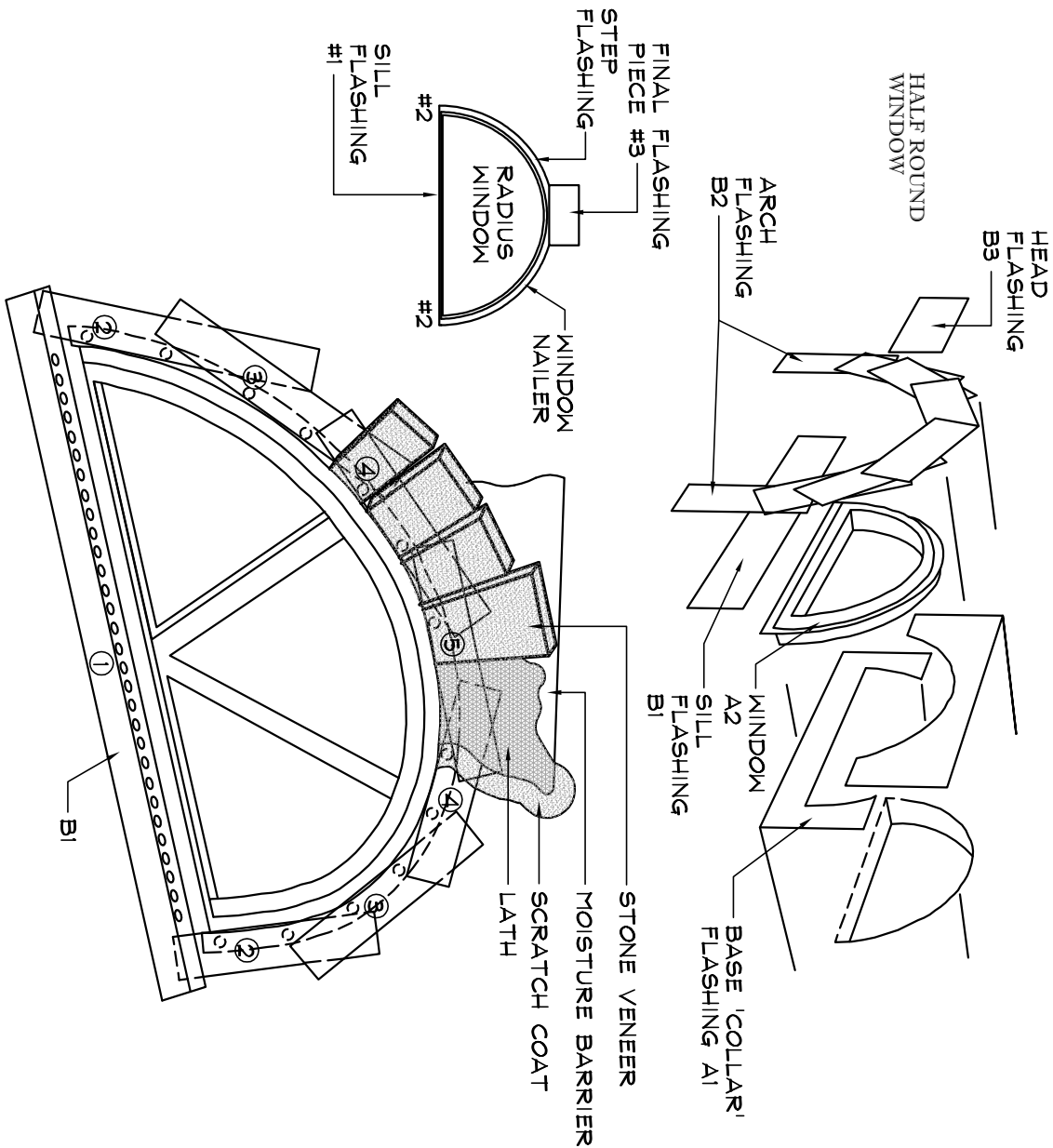


FLASHING AROUND CURVED WINDOW PERIMETER



Specifications :

ARCHED/HALF ROUND/ROUND WINDOWS USE A SELF-ADHERED FLASHING (SUCH AS Grace Vycor Plus Self Adhered Flashing) OR EQUAL.

INSTALLATION INSTRUCTIONS :

- A
 1. INSTALL MOISTURE BARRIER BASE COLLAR FLASHING (MOISTURE BARRIER)
 2. INSTALL FLANGED WINDOW
- B
 1. INSTALL SELF-ADHERED FLASHING STARTING AT BOTTOM OF WINDOW.
 2. INSTALL ARCH STRIP FLASHING STARTING AT BOTTOM AND WORK YOUR WAY AROUND THE WINDOW COMPLETELY SEALING THE WINDOW TO THE SHEATHING.
 3. AFTER BOTH SIDES ARE RUN FROM BOTTOM TO TOP, THEN INSTALL ONE PIECE AT THE TOP.

NOTE : THE SELF-ADHERED FLASHING IS TO EXTEND UP ON TO THE WINDOW TO CREATE A TIGHT SEAL. (DO NOT EXTEND OVER ON TO THE FACE OF THE WINDOW.)

NOT TO SCALE



CENTURION
STONE

Centurion Products, Inc
50 Van Buren Street
Nashville, TN 37208
www.centurionstone.com

FLASHING AROUND CURVED
WINDOW PERIMETER

E.0.2