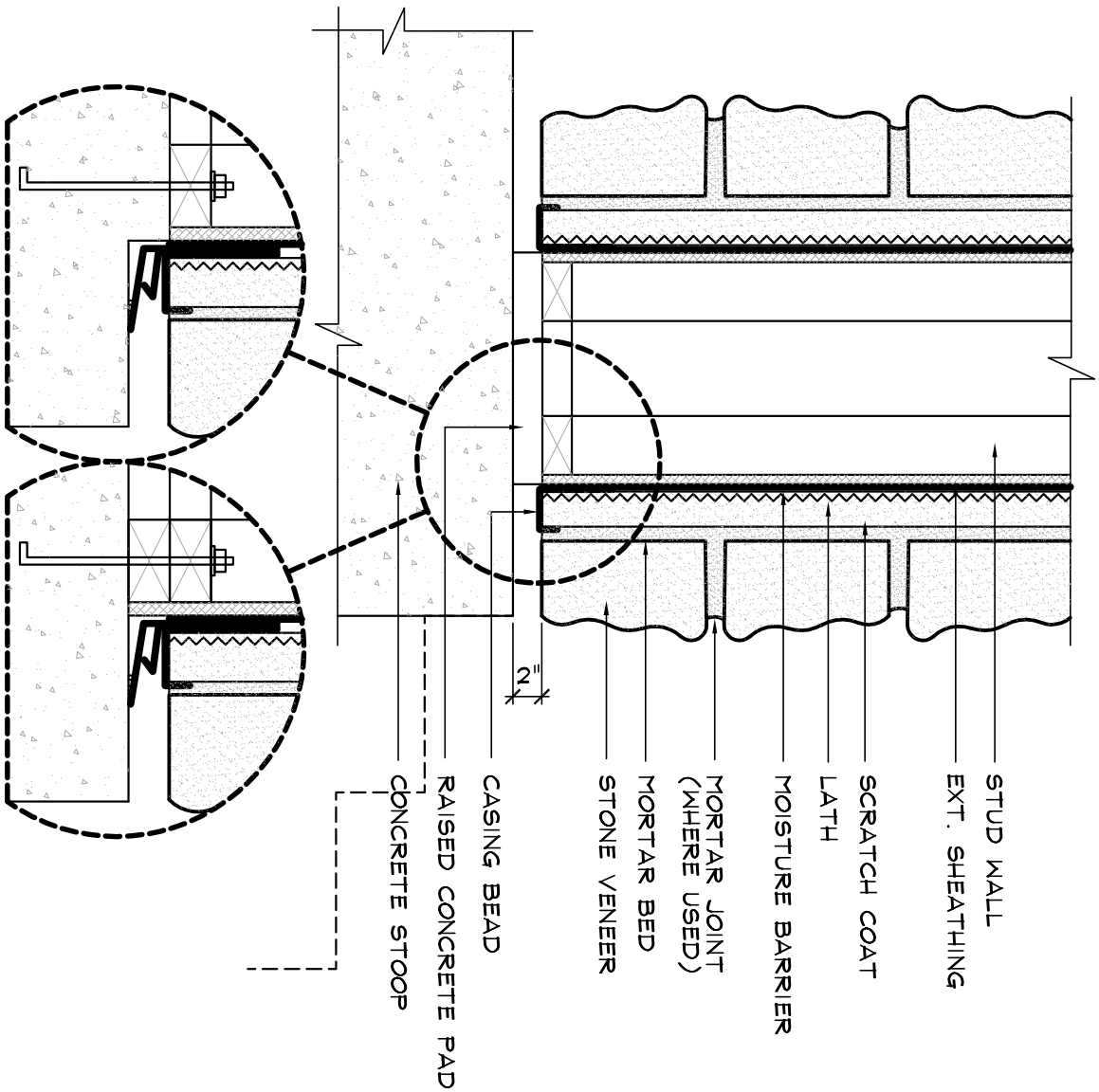


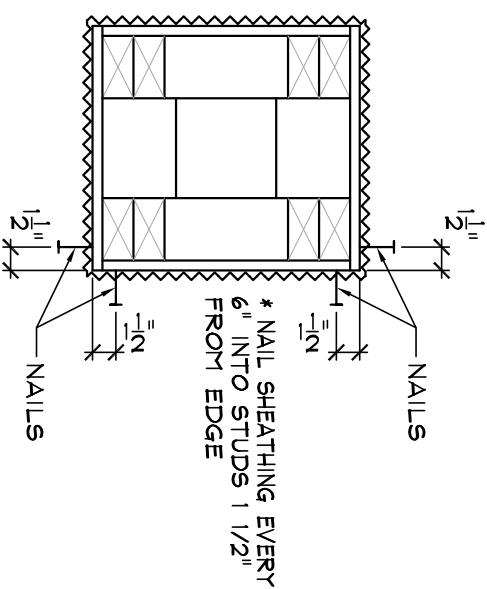
# COLUMN CONSTRUCTION



Specifications :

APPLIED : PER CENTURION STONE VENEER INSTALLATION PROCEDURES REFERENCE ICC ES REPORT ESR-22394 FOR SPECIFIC CODE REQUIREMENTS

NOTE :  
USE MIN. OF 2 STUDS ON EACH COLUMN CORNER AND ON ALL INSIDE/OUTSIDE CORNERS



- \* NAIL LATH EVERY 6" DOWN EACH CORNER 1 1/2" FROM EDGE WITH FASTENER PENETRATING MIN. OF 1" INTO STUD.
- \* LATH IS TURNED AROUND CORNERS (INSIDE/OUTSIDE) 16" AND KEPT TIGHT TO SHEATHING. IF RETURN IS LESS THAN 16" TURN LATH TO LONGEST POINT - DO NOT END LATH AT COLUMN CORNER.

NOT TO SCALE



Centurion Products, Inc  
50 Van Buren Street  
Nashville, TN 37208  
www.centurionstone.com

## COLUMN CONSTRUCTION

M.0.7