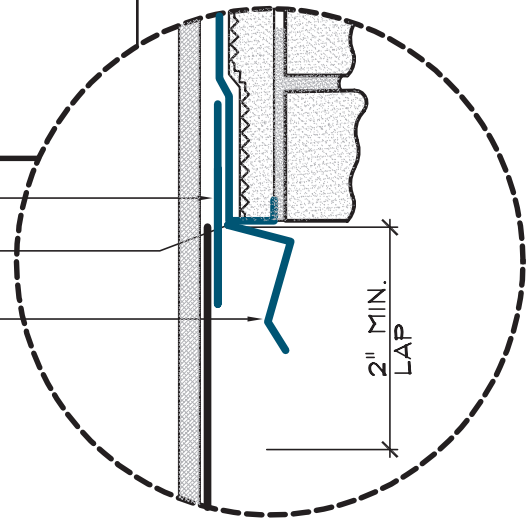


SPECIFICATIONS:
 APPLIED: PER CENTURION STONE VENEER
 INSTALLATION PROCEDURES REFERENCE
 ICC ES REPORT ESR-2239 FOR SPECIFIC CODE
 REQUIREMENTS

*SEE DETAIL 1.0 FOR INSTALLATION
 DETAILS OVER CMU

2 LAYRES WRB
 WEEP SCREED
 COUNTER FLASHING



CHIMNEY SADDLE DETAILS

NOT TO SCALE



Centurion Products, Inc.
 50 Van Buren Street
 Nashville, TN 37208
 www.CenturionStone.com

CHIMNEY CRICKET DETAILS

E2