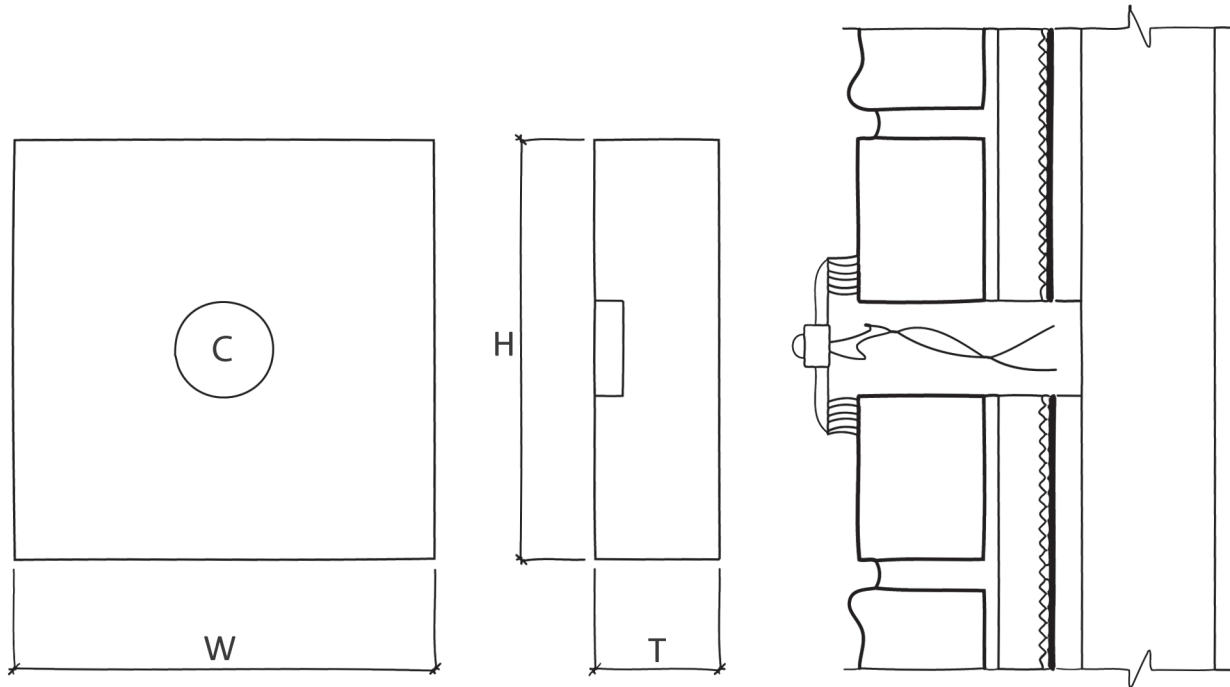


DOOR BELL PLATE #815



PATTERN DESCRIPTIONS AND DIMENSIONS

Pattern	Texture	Code	T	H	W	Cutout
DOOR BELL PLATE	Smooth face.	815	1"	3/4"	2 1/4"	DRILL

*thickness, height and width dimensions may have +/- tolerance due to hand casting of product

*trimming and shaping of pieces may be required around openings as well as maintaining a level and coarsed pattern

*Certain patterns are designed by Centurion to be laid with a mortar joint-like Rubble. For those patterns, the coverage area includes the mortar joint. For patterns designed to be drystack-like Ledge, the coverage area does not include a mortar joint

Packaging/Skid		Weights	
#	Pcs.	Skid	Pcs.
815	320	320	0.76

Standard Accessory Color Line	Color Code
APPALACHIA	250-25
BROWN	200-25
CHARDONAY	180-65
KENTUCKY	260-15
PENNSYLVANIA	800-25
MESA VALLEY	930-65
MISSOURI	100-15
PLAIN	330-20
SUEDE	185-65
TENNESSEE	010-15
TEXAS	310-10
TULSA	791-15

