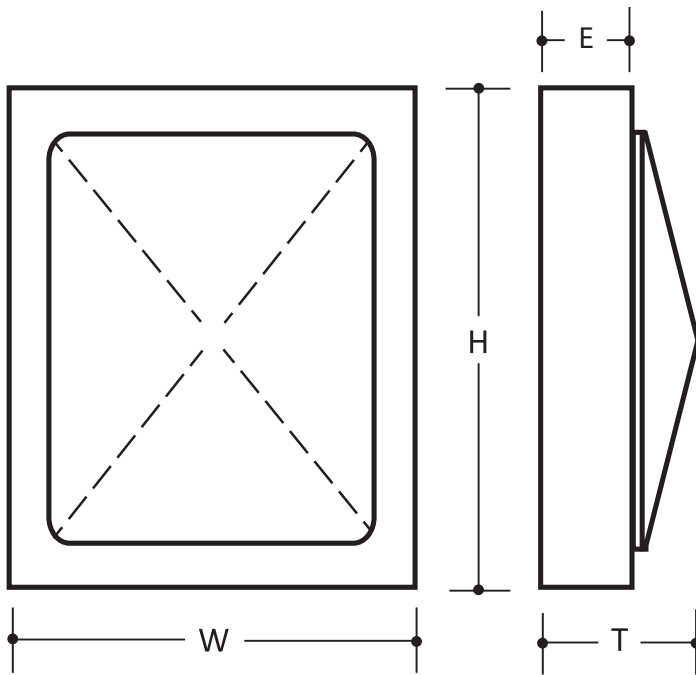


# BEVELED COLUMN CAP #580

#867

#868



## PATTERN DESCRIPTIONS AND DIMENSIONS

Pattern	Texture	Code	T	H	W	Edge
BEVELED COLUMN CAP	Chiseled top and edges, no step down on top.	580	5"	20"	20"	2.5"
	Smooth top and chiseled edges.	867	9"	24"	24"	4"
	Smooth top and chiseled edges.	868	9"	28"	28"	4"

\*thickness, height and width dimensions may have +/- tolerance due to hand casting of product

\*trimming and shaping of pieces may be required around openings as well as maintaining a level and coarsed pattern

\*Certain patterns are designed by Centurion to be laid with a mortar joint-like Rubble. For those patterns, the coverage area includes the mortar joint. For patterns designed to be drystack-like Ledge, the coverage area does not include a mortar joint

Packaging/Skid		Weights/Skid(Avg)
Item #	Pcs.	Lbs.
580	14	1358
867	1	325
868	1	430

Standard Accessory Color Line	Color Code
APPALACHIA	250-25
BROWN	200-25
CHARDONAY	180-65
KENTUCKY	260-15
PENNSYLVANIA	800-25
MESA VALLEY	930-65
MISSOURI	100-15
PLAIN	330-20
SUEDE	185-65
TENNESSEE	010-15
TEXAS	310-10
TULSA	791-15

