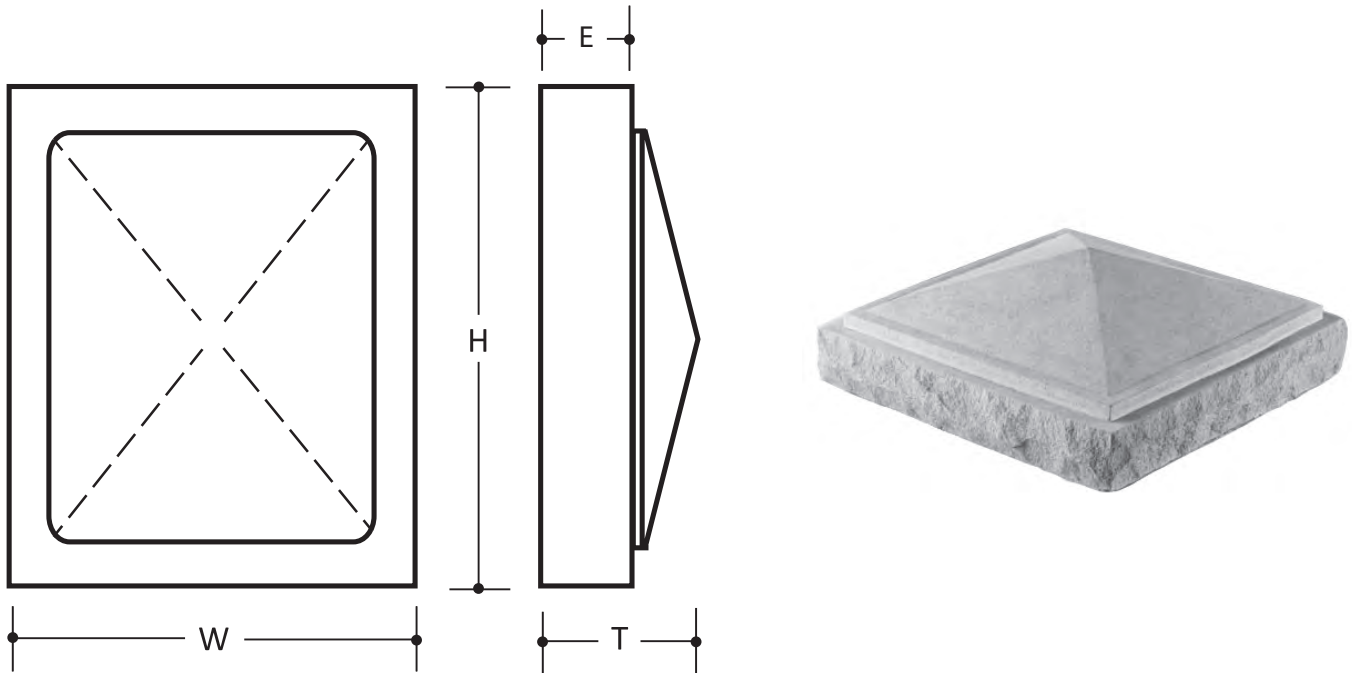


BEVELED COLUMN CAP #580, 867, 868

by CENTURION STONE®



PATTERN DESCRIPTIONS AND DIMENSIONS

Pattern	Texture	Code	T	H	W	Edge
BEVELED COLUMN CAP	Chiseled top and edges, no step down on top.	580	5"	20"	20"	2.5"
BEVELED COLUMN CAP	Smooth top and chiseled edges.	867	9.5"	24"	24"	4"
BEVELED COLUMN CAP	Smooth top and chiseled edges.	868	8.75"	28"	28"	4"

Packaging/Skid		Weights	
#	Pcs.	Skid	Pcs.
580	14	1065	71
867	1	265	225
868	1	340	300



50 Van Buren Street
Nashville, TN 37208