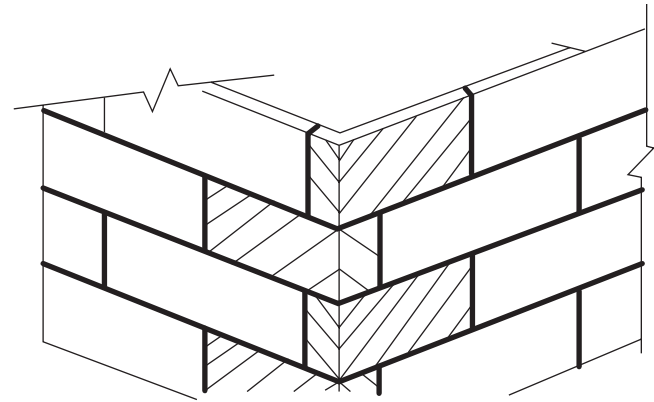
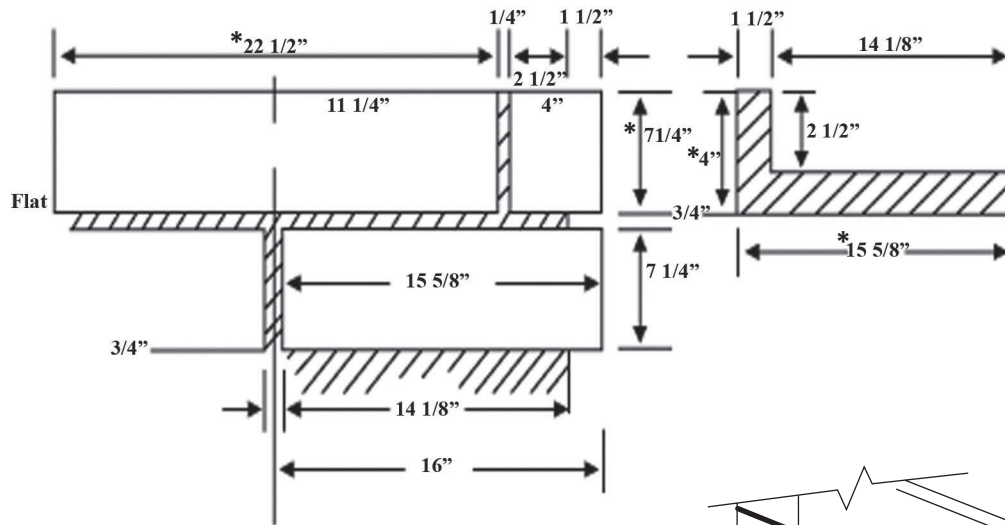


# FOUNDATION STONE

by CENTURION STONE®

# 530  
540



## PATTERN DESCRIPTIONS AND DIMENSIONS

Pattern	Texture	Code	Thickness	Height	Width	Rec Joint
Flat	Chiseled face	530	1.5"	7.25"	22.5"	3/4"
Corner	Chiseled face	540	1.5"	7.25"	4" to 15 5/8"	

\*thickness, height and width dimensions may have +/- tolerance due to hand casting of product

\*trimming and shaping of pieces may be required around openings as well as maintaining a level and coarsed pattern

Color Name	Product Code
MISSOURI	530-100-15

	Packaging		Weights	
	Pcs	Skid	Box	
Box	8		142	
Skid	64	1216		
Corners	24/3	648		17
Sq. ft.			13.9 lbs.	



**CENTURION**  
STONE

50 Van Buren Street  
Nashville, TN 37208